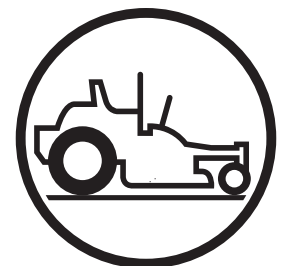


**Parts Manual**

LZ5227 / 968999674	LZ6130 / 968999675
LZ7230 / 968999676	LZ6127 / 968999709
LZ30 / 968999677	LZ30C / 968999751
LZ6130C / 968999752	LZ7230C / 968999753

Please read the operator's manual carefully and make sure you understand the instructions before using the machine.



**English**

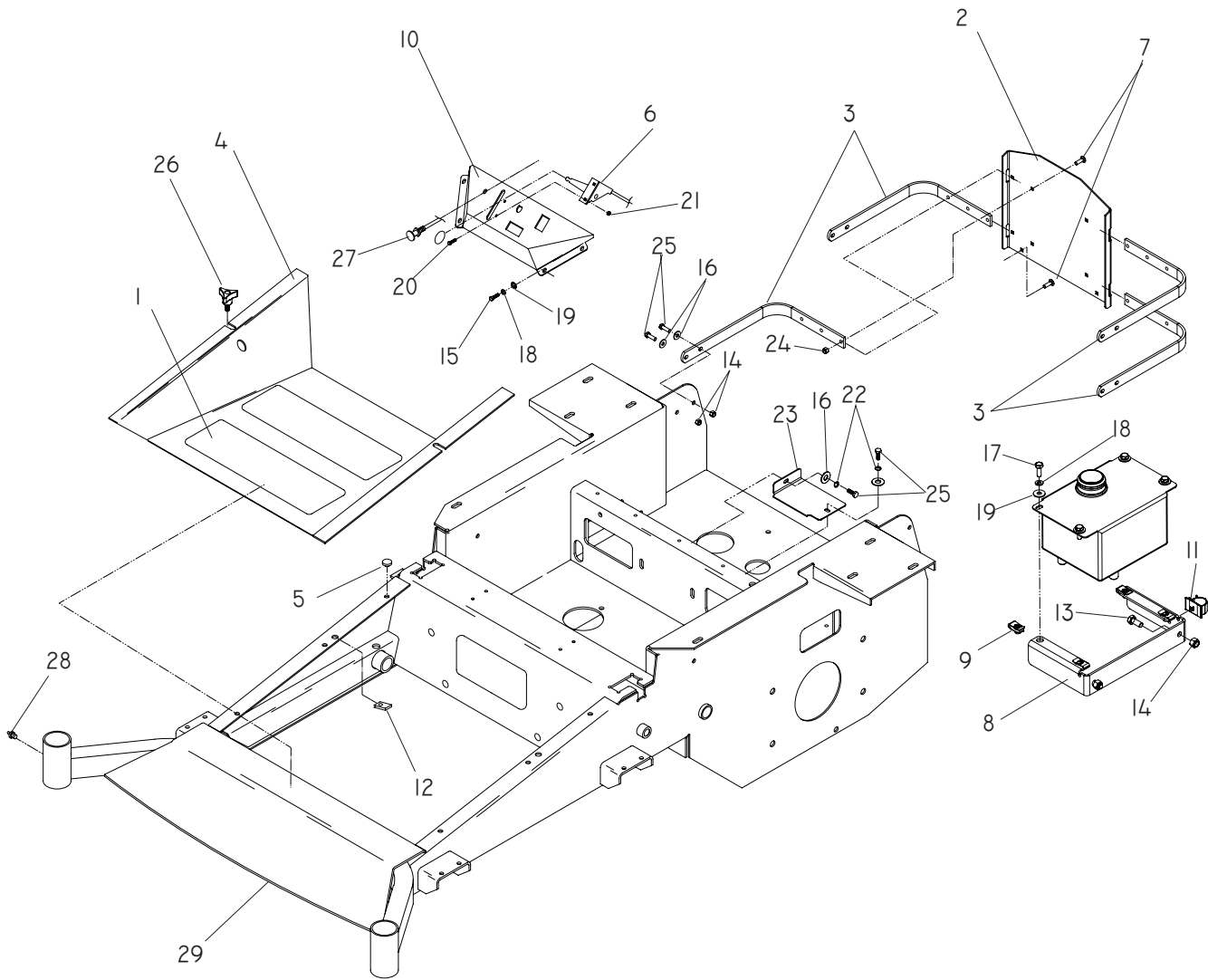


# CONTENTS

SECTION	PAGE	SECTION	PAGE
CHASSIS / FRAME .....	4	DEBRIS SHIELD .....	24
ENGINE PLATE.....	8	FUEL SYSTEM.....	26
STEERING .....	10	SEAT .....	28
PARKING BRAKE .....	12	CASTER.....	30
HYDRAULIC PUMP - MOTOR.....	14	ELECTRICAL .....	32
MOWER LIFT / DECK LIFT.....	16	DECALS .....	36
52" DECK .....	18	SCHEMATIC.....	38
61" DECK .....	20	PROTECTION FRAME .....	39
72" DECK .....	22	ACCESSORIES.....	40

NOTE: ALL FASTENERS ARE GRADE 5 UNLESS OTHERWISE SPECIFIED.

# CHASSIS / FRAME

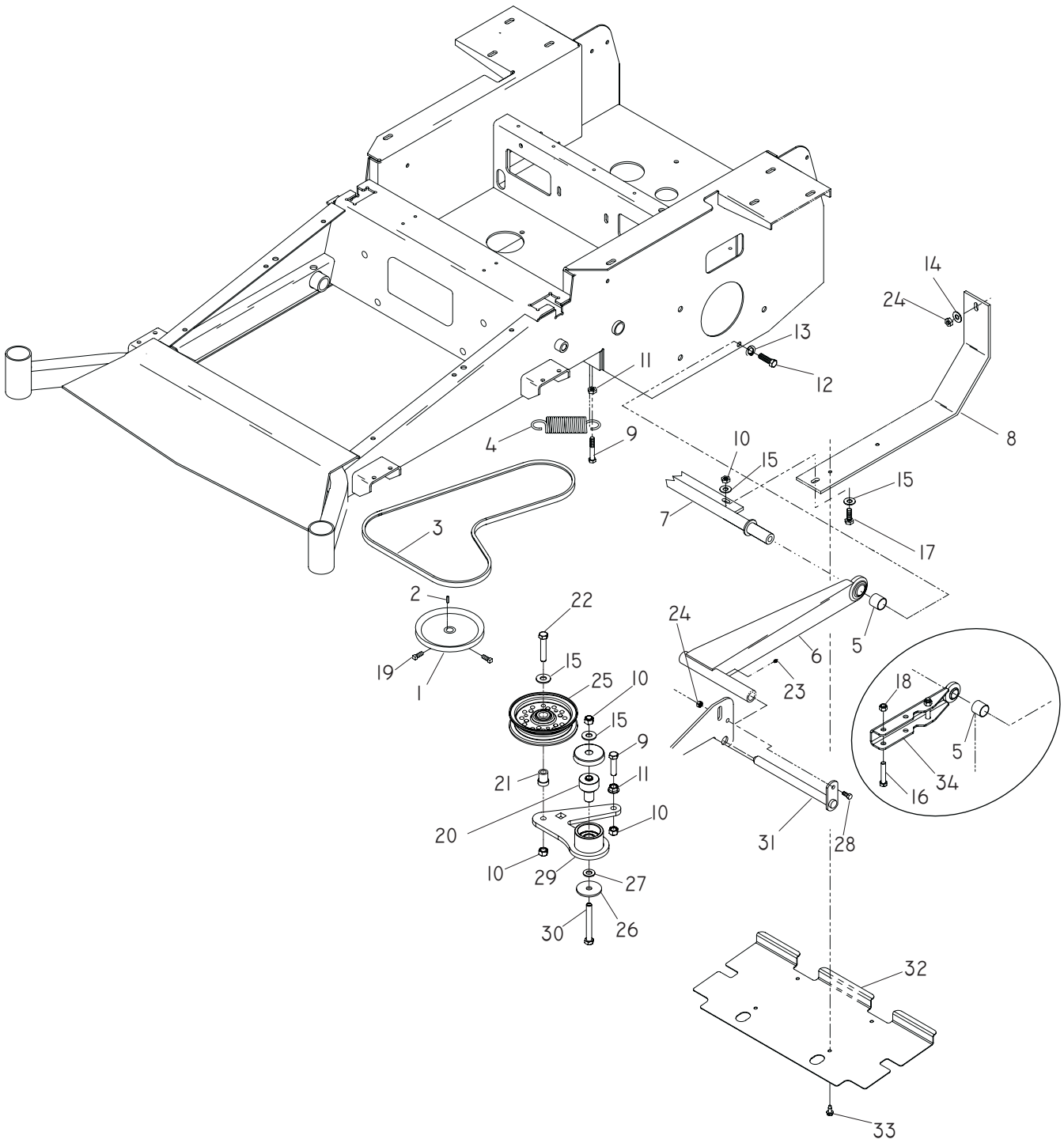


# CHASSIS / FRAME

---

ITEM	PART NO.	QTY.	DESCRIPTION	ITEM	PART NO.	QTY.	DESCRIPTION
1..	539 977778....3	....	FLOOR PAN PAD	21..	539 976977....4	....	NUT 10-24 NYLOC
2..	539 110976....1	....	XP GUARD, BLACK	22..	539 990187....4	....	WASHER <sup>5</sup> / <sub>16</sub> LOCK
3..	539 106961....4	....	STRAP, BLACK	23..	539 105716....1	....	IDLER COVER PAINTED
4..	539 104721....1	....	FOOT PLATE	24..	539 990184..14	....	NUT <sup>5</sup> / <sub>16</sub> -18 CENTERLOCK
5..	539 102587..10	....	BUMPER	25..	539 990209..16	....	HCS <sup>5</sup> / <sub>16</sub> -18 x 1
6..	539 102732....1	....	THROTTLE CABLE	26..	539 104411....1	....	KNOB W/STUD
7..	539 990316..10	....	RHSNB <sup>5</sup> / <sub>16</sub> -18 x <sup>3</sup> / <sub>4</sub> ZD	27..	539 130207....1	....	CHOKE CONTROL
8..	539 110814....1	....	TANK MOUNT	28..	539 101474....2	....	ZERK
9..	539 110813....4	....	"U" TYPE RETAINER <sup>1</sup> / <sub>4</sub> C	29..	539 132278....1	....	FRAME, 52"/61" for Serial No. 074439861 and after
10..	539 110953....1	....	CONSOLE				
11..	539 110815....1	....	CLIP, PUSH MOUNT WIRE				
12..	539 104763....6	....	"U" CLIP <sup>5</sup> / <sub>16</sub> C	539 132229....1			FRAME, 52"/61" for units produced before Serial No. 074439861
13..	539 976934....4	....	HCS, <sup>5</sup> / <sub>16</sub> -18 X <sup>3</sup> / <sub>4</sub>				
14..	539 990717..37	....	NUT <sup>5</sup> / <sub>16</sub> -18 HEX NYLOC	539 132279....1			FRAME, 72" for Serial No. 074439861 and after
15..	539 990362....4	....	TFS <sup>1</sup> / <sub>4</sub> C x <sup>5</sup> / <sub>8</sub>				
16..	539 990692..32	....	WASHER, <sup>5</sup> / <sub>16</sub> STD FLT				
17..	539 990580....8	....	HCS, <sup>1</sup> / <sub>4</sub> - 20 x <sup>3</sup> / <sub>4</sub>	539 132232....1			FRAME, 72" for units produced before Serial No. 074439861
18..	539 990052..10	....	LOCKWASHER <sup>1</sup> / <sub>4</sub>				
19..	539 990598....8	....	WASHER <sup>1</sup> / <sub>4</sub> FLAT				
20..	539 990411....2	....	HCS 10-24 x <sup>1</sup> / <sub>2</sub>				

# CHASSIS / FRAME

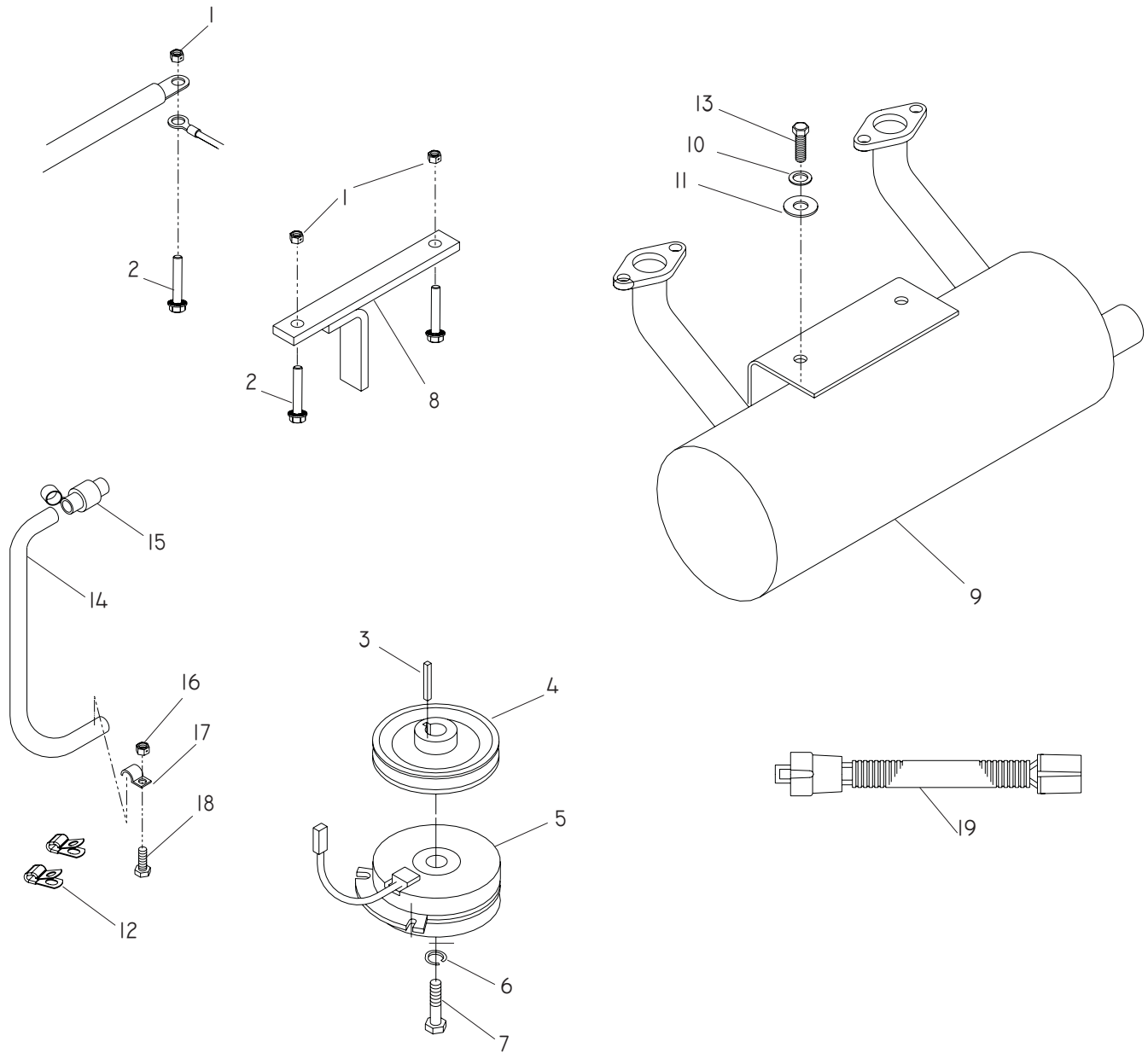


# CHASSIS / FRAME

---

ITEM	PART NO.	QTY.	DESCRIPTION	ITEM	PART NO.	QTY.	DESCRIPTION
1..	539 101176....2	....	PULLEY	20..	539 130205....1	....	PIVOT BEARING
2..	539 101177....2	....	KEY	21..	539 976695....1	....	IDLER FLANGE BUSHING
3..	539 104334....1	....	PUMP BELT	22..	539 990588....1	....	HCS, $\frac{3}{8}$ -16 x 2
4..	539 103256....1	....	SPRING	23..	539 976998....1	....	ZERK
5..	539 104521....2	....	STRUT SPACER	24..	539 990717....1	....	NUT $\frac{5}{16}$ -18 HEX NYLOC
6..	539 104390....2	....	STRUT WELDMENT, REAR 52"/61"	25..	539 976688....1	....	IDLER PULLEY
	539 110746....2	....	STRUT WELDMENT, REAR 72"	26..	539 111897....1	....	WASHER, $\frac{3}{8}$ SPEC
7..	539 132302....1	....	CROSS SHAFT	27..	539 990122....1	....	WASHER, $\frac{3}{8}$ SAE FLT
8..	539 112634....2	....	SKID PLATE	28..	539 990209....1	....	HCS $\frac{5}{16}$ -18 x 1
9..	539 990655....1	....	HCS $\frac{3}{8}$ -16 x $1\frac{1}{2}$	29..	539 130392....1	....	IDLER ARM
10..	539 976979....1	....	NUT $\frac{3}{8}$ -16 HEX NYLOC	30..	539 101341....1	....	HCS $\frac{3}{8}$ -16 x 3
11..	539 990613....1	....	NUT $\frac{3}{8}$ -16 HEX WHIZLK	31..	539 102619....2	....	PIVOT PIN WELDMENT 52"/61"
12..	539 119007....2	....	BOLT		...539 105480....2	...	PIVOT PIN WELDMENT 72"
13..	539 990247....2	....	LOCKWASHER $\frac{7}{16}$	32..	539 112636....1	....	GUARD, REAR DEBRIS MODELS 968999677, 968999751
14..	539 990692....2	....	WASHER, $\frac{5}{16}$ STD FLT	33..	539 107476....4	....	BOLT $\frac{5}{16}$ -18 x $\frac{3}{4}$ THRD FRM MODELS 968999677, 968999751
15..	539 990517....4	....	WASHER $\frac{3}{8}$ FLAT	34..	539 112516....2	....	STRUT WELDMENT, REAR MODELS 968999677, 968999751
16..	539 103433....4	....	HCS $\frac{1}{2}$ -13 x $3\frac{1}{4}$				
17..	539 990563....2	....	HCS, $\frac{3}{8}$ -16 x 1				
18..	539 101331....1	....	NUT $\frac{1}{2}$ -13, NYLOC				
19..	539 102717....2	....	SCREW, SET				

# ENGINE PLATE





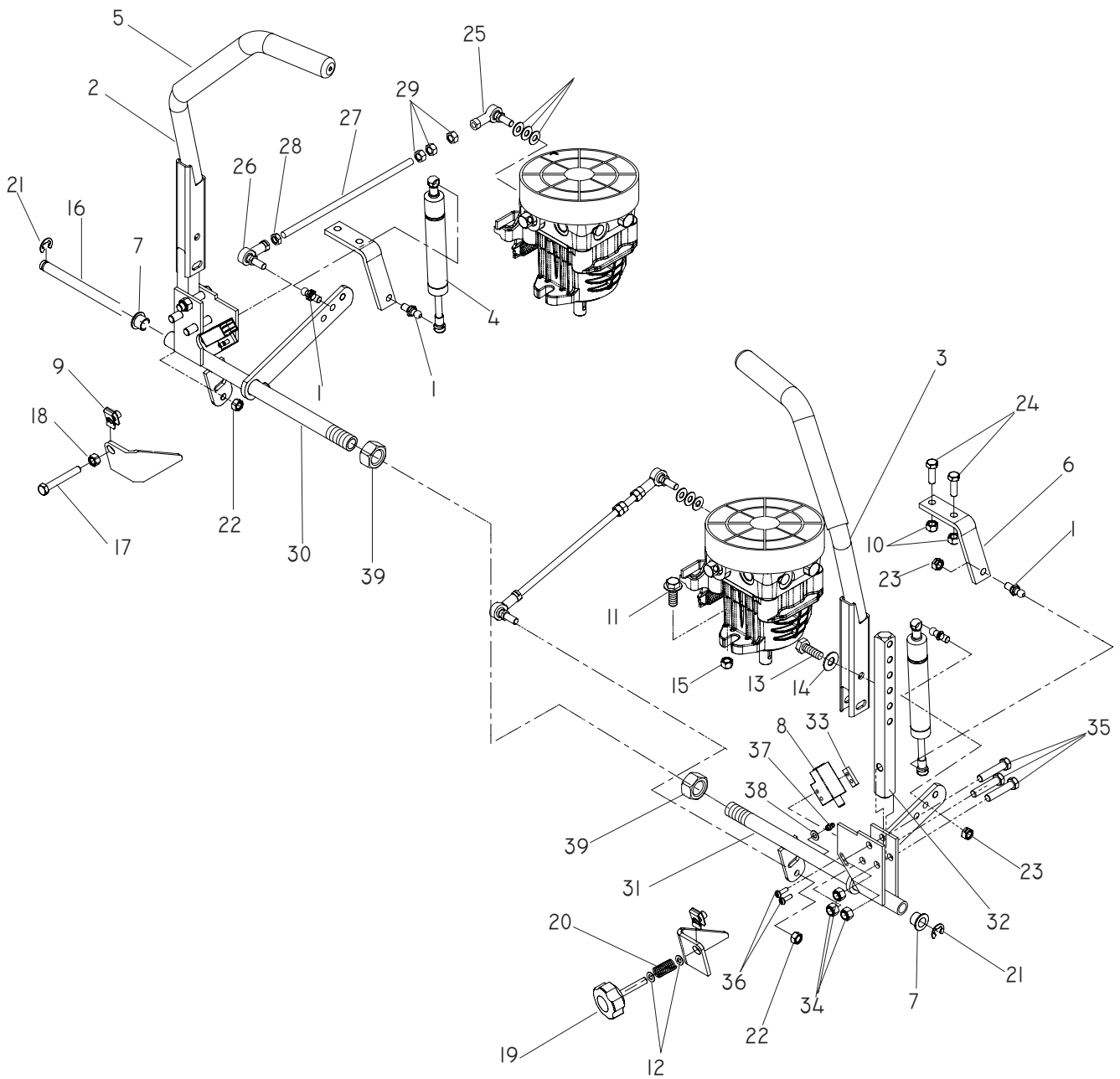
# ENGINE PLATE

---

ITEM	PART NO.	QTY.	DESCRIPTION
1	539 990184...	6....	NUT $\frac{5}{16}$ -18 CENTERLOCK
2	539 113781...	4....	HCS $\frac{5}{16}$ X $1\frac{3}{4}$ SERRATED
3	539 100152...	1....	KEY $\frac{1}{4}$ SQ
4	539 106057...	1....	PULLEY
5	539 105406...	1....	CLUTCH
6	539 990247...	1....	LOCKWASHER $\frac{7}{16}$
7	539 991120...	1....	HCS $\frac{7}{16}$ X 2.50
8	539 106819...	1....	CLUTCH TIE DOWN
9	539 105896...	1....	MUFFLER
10	539 990187...	2....	WASHER $\frac{5}{16}$ LOCK

ITEM	PART NO.	QTY.	DESCRIPTION
11	539 990692...	2....	WASHER, $\frac{5}{16}$ STD FLT
12	539 109867...	2....	CLAMP DOUBLE TUBE
13	539 976934...	2....	HCS, $\frac{5}{16}$ -18 X $\frac{3}{4}$
14	539 107937...	1....	OIL DRAIN HOSE
15	539 110093...	1....	OIL DRAIN FITTING
16	539 990761...	1....	NUT $\frac{1}{4}$ -20, CENTERLOCK
17	539 101363...	1....	CLAMP
18	539 990580...	1....	HCS, $\frac{1}{4}$ - 20 X $\frac{3}{4}$
19	539 104416...	1....	KOHLER PIGTAIL

# STEERING



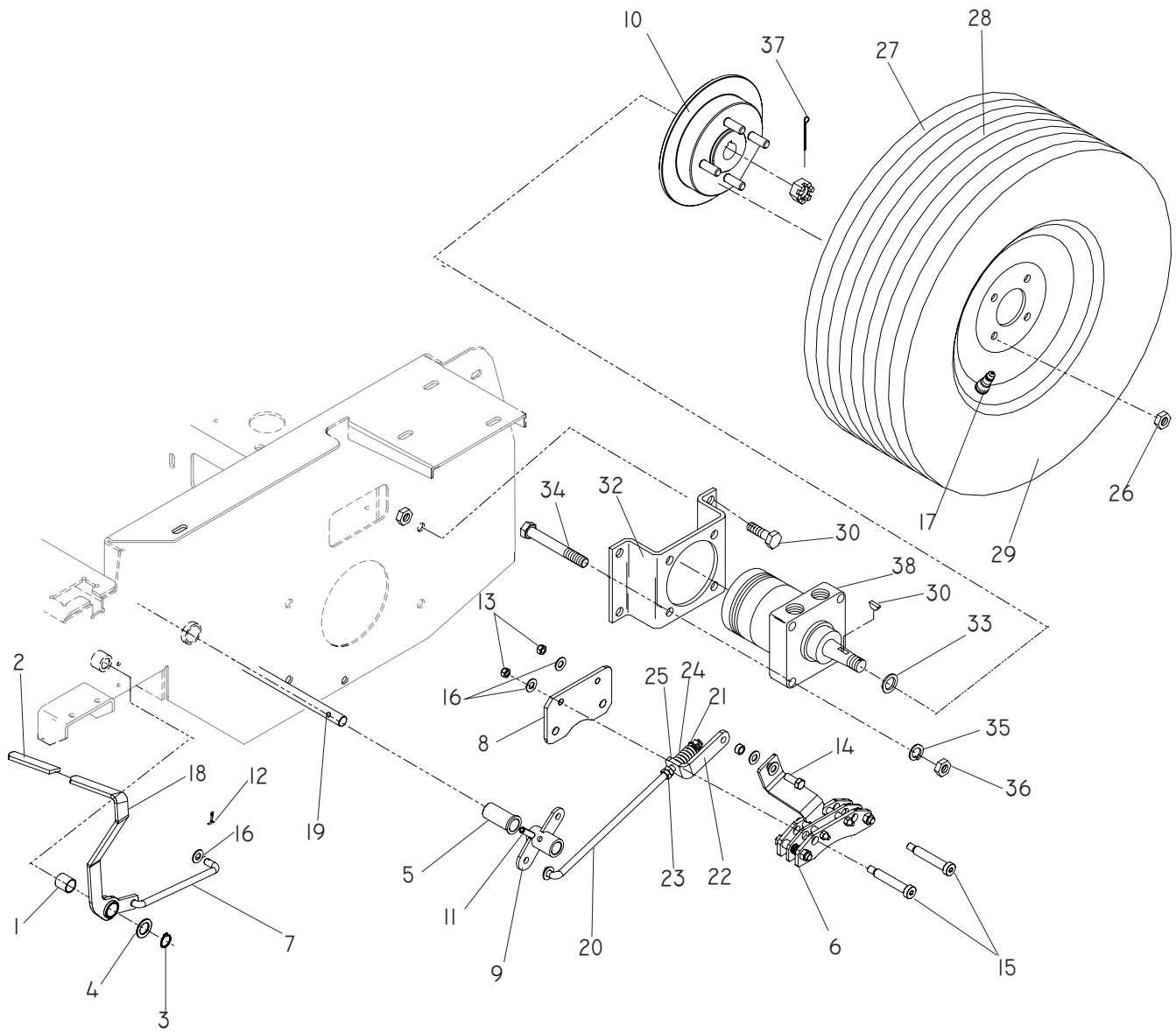
# STEERING

---

ITEM	PART NO.	QTY.	DESCRIPTION
1	...539 110607	..4	..BALL STUD
2	...539 131623	..1	..DRIVE LEVER W/GRIP, RT
3	...539 131622	..1	..DRIVE LEVER W/GRIP, LT
4	...539 110606	..2	..DAMPENER
5	...539 130894	..2	..GRIP
6	...539 111074	..2	..DAMPENER BRACKET
7	...539 102519	..2	..BUSHING
8	...539 101080	..2	..INTERLOCK SWITCH
9	...539 104763	..2	.."U" CLIP, $\frac{5}{16}$ C
10	...539 990717	..4	..NUT $\frac{5}{16}$ -18 HEX NYLOC
11	...539 990582	..4	..HCS $\frac{3}{8}$ -16 x 1 WHIZLK
12	...539 990692	..2	..WASHER, $\frac{5}{16}$ STD FLT
13	...539 990563	..4	..HCS, $\frac{3}{8}$ -16 x 1
14	...539 102593	..4	..SPRING WASHER, $\frac{3}{8}$
15	...539 990546	..4	..NUT $\frac{3}{8}$ -16, CENTERLOCK
16	...539 110833	..1	..CONTROL SHAFT
17	...539 108394	..1	..HCS, $\frac{5}{16}$ C x $1\frac{3}{4}$ , TAPBOLT
18	...539 990196	..1	..NUT $\frac{5}{16}$ C
19	...539 103003	..1	..KNOB
20	...539 111039	..1	..SPRING

ITEM	PART NO.	QTY.	DESCRIPTION
21	...539 101949	..2	..E-RING, $\frac{1}{2}$ "
22	...539 110943	..4	..NUT $\frac{5}{16}$ F, NYLOC
23	...539 990184	..4	..NUT $\frac{5}{16}$ -18 CENTERLOCK
24	...539 990209	..4	..HCS $\frac{5}{16}$ -18 x 1
25	...539 110603	..1	..ROD END, RT
26	...539 110604	..1	..ROD END, LT
27	...539 105279	..1	..TRACKING LINKAGE
28	...539 991073	..1	..NUT $\frac{5}{16}$ F, LH, JAM
29	...539 990223	..3	..NUT $\frac{5}{16}$ F
30	...539 131332	..1	..CONTROL, RT
31	...539 131333	..1	..CONTROL, LT
32	...539 110638	..1	..ARM, CONTROL SHAFT
33	...539 102678	..1	..SCREW PLATE
34	...539 976979	..3	..NUT $\frac{3}{8}$ -16 HEX NYLOC
35	...539 990730	..2	..HCS, $\frac{3}{8}$ -16 x $1\frac{3}{4}$
36	...539 976952	..2	..SCREW, 10-24 x $\frac{5}{8}$
37	...539 976998	..1	..ZERK
38	...539 103547	..1	..WASHER
39	...539 990820	..2	..NUT $\frac{3}{4}$ -16 CNTRLOCK

# PARKING BRAKE

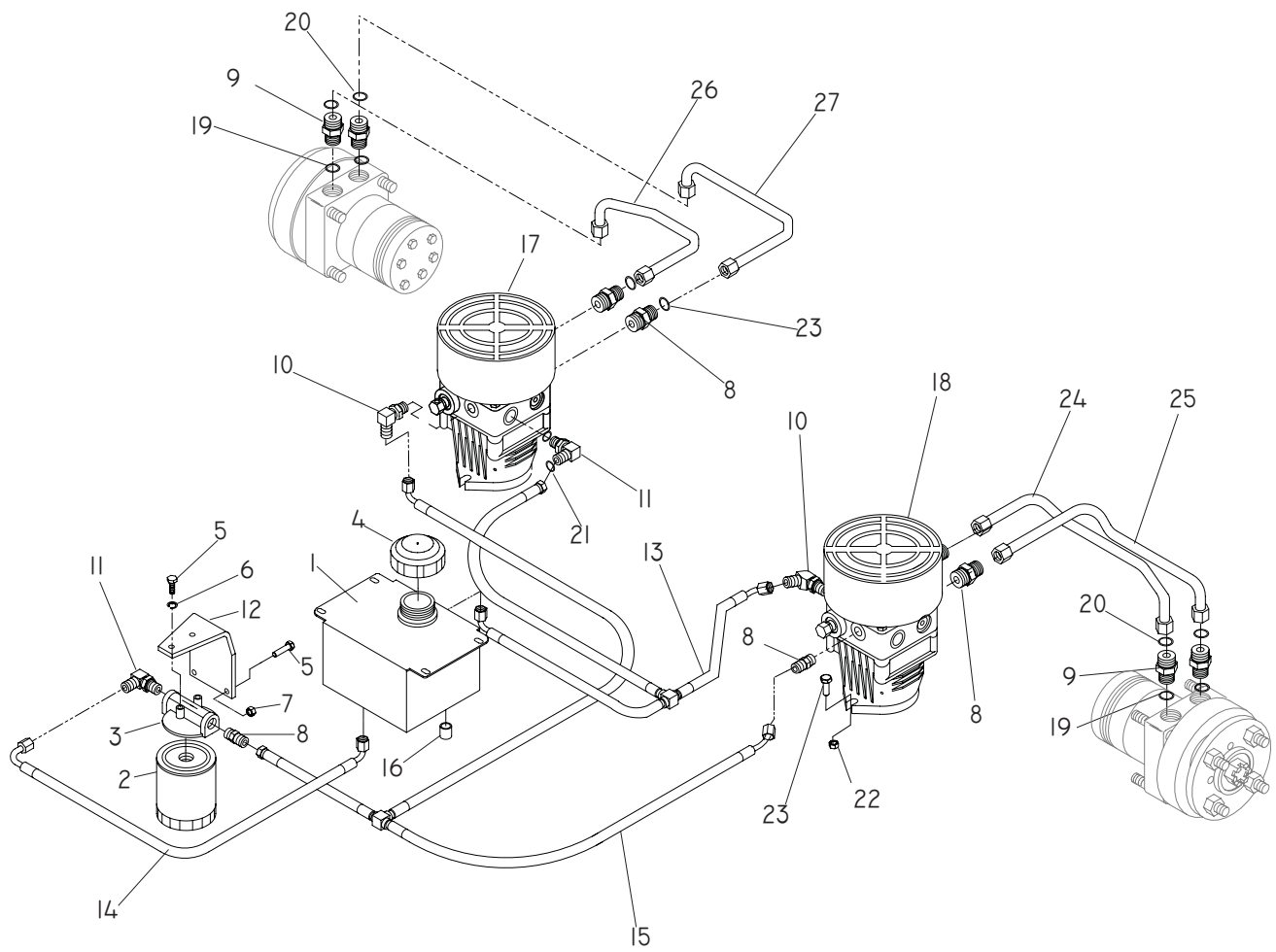


# PARKING BRAKE

---

ITEM	PART NO.	QTY.	DESCRIPTION	ITEM	PART NO.	QTY.	DESCRIPTION
1	...539 108619..	1	..BUSHING	23	...539 108732..	2	..NUT $\frac{3}{8}$ -24, JAM
2	...539 105036..	1	..GRIP	24	...539 990122..	1	..WASHER, $\frac{3}{8}$ , SAE
3	...539 101151..	1	..RING, RETAINING, $\frac{7}{8}$	25	...539 113952..	1	..SPRING
4	...539 923787..	1	..BUSHING, MACHINE	26	...539 101173..	8	..NUT LUG, $\frac{1}{2}$ F
5	...539 113479..	2	..BUSHING, POLYMER, $\frac{3}{4}$ x 2	27	...539 105486..	2	..TIRE, COMPLETE, 61" & 72"
6	...539 113944..	2	..CALIPER		...539 112592..	2	..TIRE, COMPLETE, 52"
7	...539 113947..	1	..LINKAGE, BRAKE	28	...539 105152..	1	..TIRE, 24 x 12.0-12
8	...539 113948..	2	..PLATE, BRAKE		...539 112599..	1	..TIRE, 23 x 9.5-12
9	...539 113946..	2	..BELLCRANK, BRAKE	29	...539 105487..	1	..RIM, 2 $\frac{1}{2}$ "
10	...539 113945..	2	..HUB		... 539 111149..	1	..RIM, OFFSET 1"
11	...539 110631..	2	..PIN, ROLL, $\frac{5}{16}$ " DIA.	30	...539 105278..	2	..KEY, WOODRUFF
12	...539 990037..	4	..PIN, COTTER, $\frac{3}{32}$ x $\frac{3}{4}$	31	...539 101331..	8	..NUT $\frac{1}{2}$ -13, NYLOC
13	...539 200282..	6	..NUT $\frac{3}{8}$ -16, JAM, NYLOC	32	...539 132300..	1	..STANDOFF, WHEEL MOTOR
14	...539 990563..	2	..HCS, $\frac{3}{8}$ -16 x 1	33	...539 916561..	1	..BUSHING, MACHINE, 1"
15	...539 113951..	4	..SB, $\frac{3}{8}$ -16 x 2 $\frac{1}{2}$ , SKT HD	34	...539 101332..	4	..HCS, $\frac{1}{2}$ -13 x 2 $\frac{3}{4}$
16	...539 990122	12	..WASHER, $\frac{3}{8}$ SAE FLT	35	...539 990254..	4	..LOCKWASHER, $\frac{1}{2}$
17	...539 912234..	1	..VALVE STEM	36	...539 990258..	4	..NUT $\frac{1}{2}$ -13
18	...539 108616..	1	..BRAKE LEVER	37	...539 104288..	1	..PIN, COTTER
19	...539 110624..	1	..SHAFT, CROSS	38	...539 110823..	2	..WHEEL MOTOR, TL15
20	...539 113949..	1	..LINKAGE, REAR BRAKE	NOT SHOWN			
21	...539 990289..	1	..NUT $\frac{3}{8}$ -24, CTR LK		...539 990622..	8	..HFCS, $\frac{1}{2}$ -13 X 1 $\frac{1}{4}$ , WHIZLK
22	...539 113950..	1	..BRACKET, L				

# HYDRAULIC PUMP - MOTOR



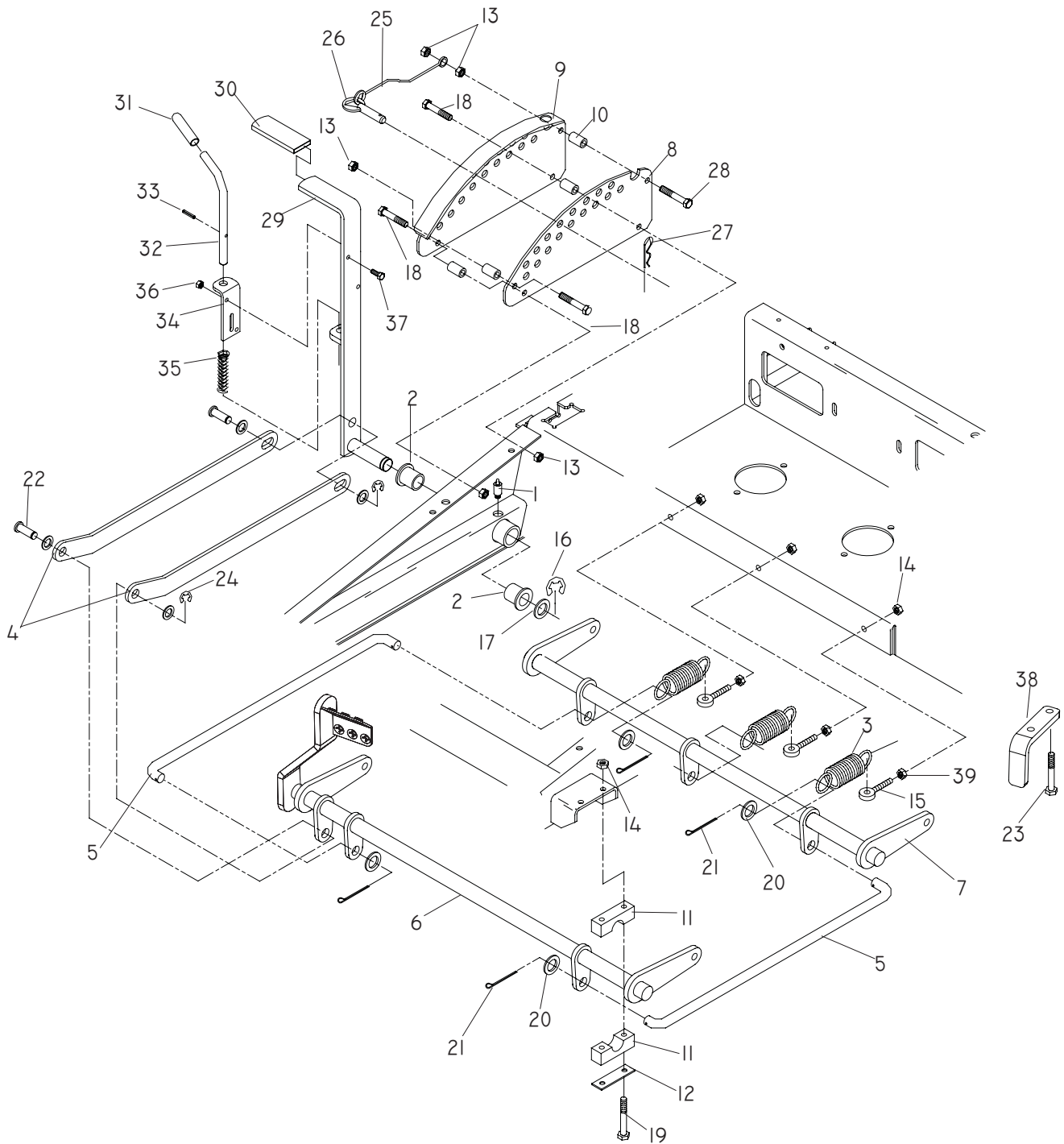
# HYDRAULIC PUMP - MOTOR

---

ITEM	PART NO.	QTY.	DESCRIPTION
1	...539 105024..	1	..OIL TANK
2	...539 102606..	1	..FILTER
3	...539 101165..	1	..FILTER HEAD
4	...539 101202..	1	..HYDRAULIC CAP
5	...539 990580..	4	..HCS, ¼ - 20 x ¾
6	...539 990052..	2	..LOCKWASHER, ¼
7	...539 976978..	2	..NUT ¼-20 HEX NYLOC ZD
8	...539 113782..	4	..HYDRAULIC FITTING
9	...539 102396..	4	..STRAIGHT FITTING
10	...539 132316..	2	..F6802-6-6-0
11	...539 101238..	4	..F6801-6-6-0
12	...539 106933..	1	..BRACKET, FILTER
13	...539 132290..	1	..'T' ASSEMBLY, RETURN
14	...539 132288..	1	..HOSE

ITEM	PART NO.	QTY.	DESCRIPTION
15	...539 132289..	1	..'T' ASSEMBLY, SUPPLY
16	...539 105168..	1	..CAP
17	...539 132143..	1	..PUMP W/FANS, 10CC, RT
18	...539 132142..	1	..PUMP W/FANS, 10CC, LT
19	...539 103114..	4	..'O' RING
20	...539 103119..	8	..'O' RING
21	...539 103118..	8	..'O' RING
22	...539 990546..	5	..NUT ¾-16, CENTERLOCK
23	...539 990582..	4	..HCS ¾-16 x 1 WHIZLK
24	...539 132284..	1	..HYDRAULIC LINE
25	...539 132285..	1	..HYDRAULIC LINE
26	...539 132286..	1	..HYDRAULIC LINE
27	...539 132287..	1	..HYDRAULIC LINE

# MOWER LIFT / DECK LIFT



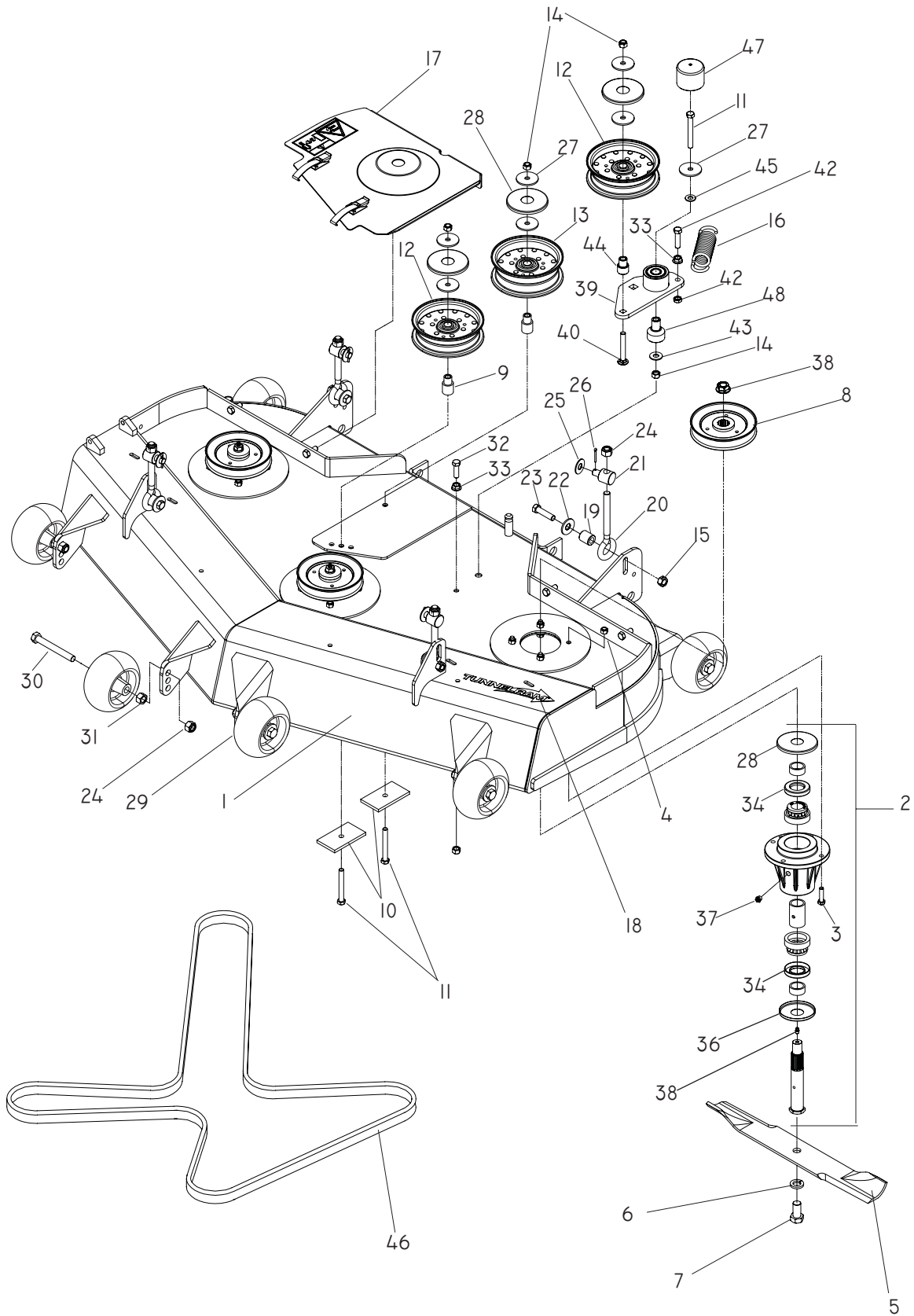


# MOWER LIFT / DECK LIFT

---

ITEM	PART NO.	QTY.	DESCRIPTION	ITEM	PART NO.	QTY.	DESCRIPTION
1	...539 104761	..1	..ZERK, LONG	21	...539 990654	..4	..PIN, COTTER
2	...539 101232	..2	..BUSHING, FLANGE	22	...539 105060	..2	..PIN, CLEVIS <sup>5</sup> / <sub>8</sub>
3	...539 104760	..3	..SPRING, DECK LIFT	23	...539 107476	..4	..BOLT, <sup>3</sup> / <sub>8</sub> -16 x 1, THD FORM
4	...539 105050	..2	..LINKAGE, LIFT	24	...539 105069	..2	..E-RING, <sup>5</sup> / <sub>8</sub>
5	...539 104310	..2	..LINK, CONNECTING	25	...539 105059	..1	..LANYARD
6	...539 132170	..1	..SHAFT ASSM W/PEDAL, FT	26	...539 102526	..1	..PIN, HITCH
7	...539 108354	..1	..SHAFT, REAR LIFT	27	...539 976989	..1	..PIN, HAIR 4
8	...539 104323	..1	..PLATE, ADJUSTMENT	28	...539 102612	..1	..HCS, <sup>3</sup> / <sub>8</sub> C x 2 <sup>3</sup> / <sub>4</sub>
9	...539 104321	..1	..PLATE, ADJUSTMENT	29	...539 108322	..1	..LEVER, LIFT
10	...539 104530	..4	..SPACER, DECK LIFT	30	...539 102515	..1	..CUSHION, HANDLE
11	...539 104808	..8	..BLOCKS, PILLOW	31	...539 101050	..1	..GRIP, VINYL
12	...539 104807	..4	..PLATE, SUPPORT	32	...539 104523	..1	..PIN, LOCKING
13	...539 976979	..8	..NUT <sup>3</sup> / <sub>8</sub> -16 HEX NYLOC	33	...539 106532	..1	..PIN, GROOVED
14	...539 990717	..8	..NUT <sup>5</sup> / <sub>16</sub> -18 HEX NYLOC	34	...539 103534	..1	..PIN MOUNT, UPPER
15	...539 101982	..3	..EYEBOLT, <sup>5</sup> / <sub>16</sub> C	35	...539 101058	..1	..SPRING, COMPRESSION
16	...539 101802	..1	..E-RING, <sup>7</sup> / <sub>8</sub>	36	...539 990761	..2	..NUT <sup>1</sup> / <sub>4</sub> -20, CENTERLOCK
17	...539 923787	..1	..BUSHING, MACHINE	37	...539 990580	..2	..HCS, <sup>1</sup> / <sub>4</sub> - 20 x <sup>3</sup> / <sub>4</sub>
18	...539 990637	..3	..HCS, <sup>3</sup> / <sub>8</sub> C x 2 <sup>1</sup> / <sub>2</sub>	38	...539 111075	..2	..DECK STOP
19	...539 101721	..8	..HCS, <sup>5</sup> / <sub>16</sub> C x 2 <sup>3</sup> / <sub>4</sub>	39	...539 990585	..3	..NUT <sup>5</sup> / <sub>16</sub> -18, WHIZ
20	...539 976982	..4	..WASHER, <sup>5</sup> / <sub>8</sub> , SAE				

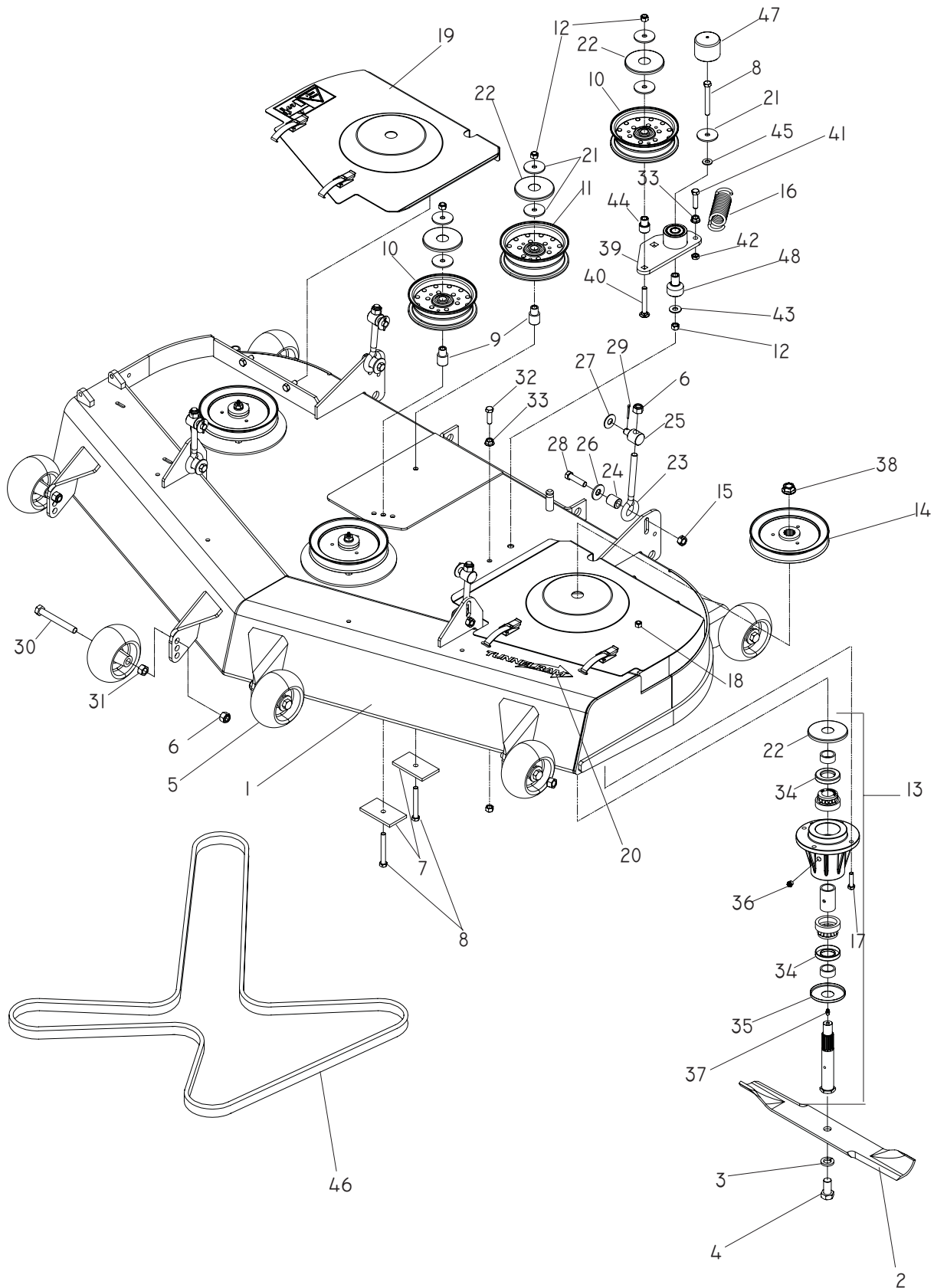
# 52" DECK



# 52" DECK

ITEM	PART NO.	QTY.	DESCRIPTION	ITEM	PART NO.	QTY.	DESCRIPTION
1..	539 111377	....1	.... DECK W/DECALS	26..	539 109246	....4	.... PIN COTTER 1/8 x 1
2..	539 114820	....3	.... SPINDLE	27..	539 111897	....6	.... WASHER - 3/8 SPECIAL
3..	539 990627	..12	.... HCS 5/16-18 x 1 1/4	28..	539 108450	....4	.... TOP DUST CAP
4..	539 990717	..12	.... NUT 5/16-18 HEX NYLOC	29..	539 107610	....6	.... WHEEL, GAUGE
5..	539 100341	....3	.... BLADE, 18"	30..	539 108366	....6	.... HHB 1/2-13 x 4
6..	539 990333	....3	.... WASHER 5/8 SLW	31..	539 990258	....6	.... NUT 1/2-13 HEX
7..	539 103299	....3	.... HCS 5/8-18 x 1 1/4	32..	539 976941	....1	.... HCS 3/8-16 x 1 1/4
8..	539 112124	....3	.... PULLEY	33..	539 990613	....3	.... NUT 3/8-16 HEX WHIZLK
9..	539 103295	....2	.... IDLER BUSHING	34..	539 108754	....2	.... SHAFT SEAL
10..	539 103303	....2	.... PAD, PAINTED	35..	539 108449	....1	.... BOTTOM DUST CAP
11..	539 101341	....2	.... HCS 3/8-16 x 3	36..	539 977326	....1	.... GREASE POPPET
12..	539 103257	....1	.... IDLER PULLEY	37..	539 101474	....1	.... ZERK
13..	539 103258	....1	.... IDLER PULLEY (TALL)	38..	539 130653	....3	.... NUT FLANGE 3/4-16
14..	539 976979	....3	.... NUT 3/8-16 HEX NYLOC	39..	539 130391	....1	.... ARM, IDLER - W/BEARINGS
15..	539 990839	....4	.... NUT 7/16-14 HEX CTRLK GR A	40..	539 130235	....1	.... RHSNB 3/8-16 x 2 3/4
16..	539 105192	....1	.... SPRING	41..	539 107042	....1	.... HCS 3/8-16 x 1 1/2 GR 8
17..	539 109652	....1	.... BELT SHIELD ASM RT	42..	539 109332	....1	.... NUT 3/8-16 HEX JAM
	539 109653	....1	.... BELT SHIELD ASM LT	43..	539 990517	....1	.... WASHER, 3/8 FLAT STD
18..	539 111561	....1	.... DECAL, TUNNELRAM	44..	539 130242	....1	.... BUSHING, IDLER
19..	539 114404	....4	.... SPACER	45..	539 990122	....1	.... WASHER, 3/8 SAE FLT
20..	539 119227	....4	.... EYEBOLT	46..	539 104334	....1	.... DECK BELT
21..	539 114405	....4	.... SWIVEL	47..	539 114823	....1	.... CAP, VINYL
22..	539 112484	....4	.... SPRING WASHER	48..	539 130205	....1	.... PIVOT BEARING
23..	539 108073	....4	.... HCS 7/16-14 x 1 3/4				
24..	539 101331	..10	.... NUT 1/2 -13, NYLOC				
25..	539 990550	....4	.... WASHER, 1/2 STD FLT				

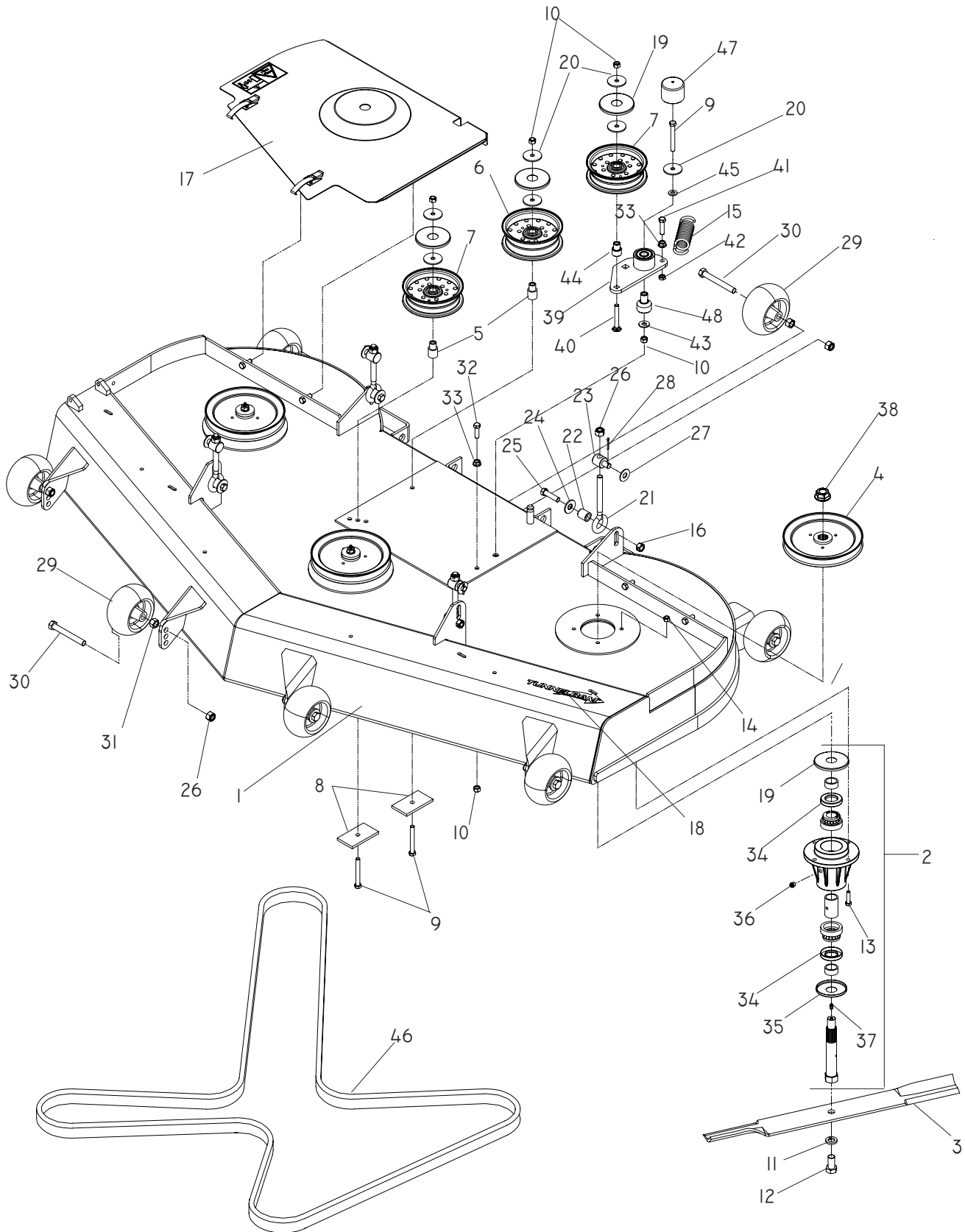
# 61" DECK



# 61" DECK

ITEM	PART NO.	QTY.	DESCRIPTION	ITEM	PART NO.	QTY.	DESCRIPTION
1..	539 111378	....1	.... DECK W/DECALS	25..	539 114405	....4	.... SWIVEL
2..	539 101733	....3	.... BLADE, 21"	26..	539 112484	....4	.... SPRING WASHER
3..	539 990333	....3	.... WASHER <sup>5</sup> / <sub>8</sub> SLW	27..	539 990550	....4	.... WASHER, <sup>1</sup> / <sub>2</sub> STD FLT
4..	539 103299	....3	.... HCS <sup>5</sup> / <sub>8</sub> -18 x 1 <sup>1</sup> / <sub>4</sub>	28..	539 108073	....4	.... HCS <sup>7</sup> / <sub>16</sub> -14 x 1 <sup>3</sup> / <sub>4</sub>
5..	539 107610	....6	.... WHEEL, GAUGE	29..	539 109246	....4	.... PIN COTTER <sup>1</sup> / <sub>8</sub> x 1
6..	539 101331	..10	.... NUT <sup>1</sup> / <sub>2</sub> -13, NYLOC	30..	539 108366	....6	.... HHB <sup>1</sup> / <sub>2</sub> -13 x 4
7..	539 103303	....2	.... PAD, PAINTED	31..	539 990258	....6	.... NUT <sup>1</sup> / <sub>2</sub> -13 HEX
8..	539 101341	....2	.... HCS <sup>3</sup> / <sub>8</sub> -16 x 3	32..	539 976941	....1	.... HCS <sup>3</sup> / <sub>8</sub> -16 x 1 <sup>1</sup> / <sub>4</sub>
9..	539 103295	....2	.... IDLER BUSHING	33..	539 990613	....1	.... NUT <sup>3</sup> / <sub>8</sub> -16 HEX WHIZLK
10..	539 103257	....1	.... IDLER PULLEY	34..	539 108754	....2	.... SHAFT SEAL
11..	539 103258	....1	.... IDLER PULLEY (TALL)	35..	539 108449	....1	.... BOTTOM DUST CAP
12..	539 976979	....3	.... NUT <sup>3</sup> / <sub>8</sub> -16 HEX NYLOC	36..	539 977326	....1	.... GREASE POPPET
13..	539 114820	....3	.... HOUSING ASM	37..	539 101474	....1	.... ZERK
14..	539 112125	....3	.... PULLEY	38..	539 130653	....3	.... NUT FLANGE <sup>3</sup> / <sub>4</sub> -16
15..	539 990839	....4	.... NUT <sup>7</sup> / <sub>16</sub> -14 HEX CTRLK GR A	39..	539 130391	....1	.... ARM, IDLER - W/BEARINGS
16..	539 105192	....1	.... SPRING	40..	539 130235	....1	.... RHSNB <sup>3</sup> / <sub>8</sub> -16 x 2 <sup>3</sup> / <sub>4</sub>
17..	539 990627	..12	.... HCS <sup>5</sup> / <sub>16</sub> -18 x 1 <sup>1</sup> / <sub>4</sub>	41..	539 107042	....1	.... HCS <sup>3</sup> / <sub>8</sub> -16 x 1 <sup>1</sup> / <sub>2</sub> GR 8
18..	539 990717	..12	.... NUT <sup>5</sup> / <sub>16</sub> -18 HEX NYLOC	42..	539 109332	....1	.... NUT <sup>3</sup> / <sub>8</sub> -16 HEX JAM
19..	539 109493	....1	.... 61 BELT SHIELD ASM RT	43..	539 990517	....1	.... WASHER, <sup>3</sup> / <sub>8</sub> FLAT STD
	539 109494	....1	.... 61 BELT SHIELD ASM LT	44..	539 130242	....1	.... BUSHING, IDLER
20..	539 111561	....1	.... DECAL, TUNNELRAM	45..	539 990122	....1	.... WASHER, <sup>3</sup> / <sub>8</sub> SAE FLT
21..	539 111897	....4	.... WASHER - <sup>3</sup> / <sub>8</sub> SPECIAL	46..	539 104336	....1	.... DECK BELT
22..	539 108450	....4	.... TOP DUST CAP	47..	539 114823	....1	.... CAP, VINYL
23..	539 119227	....4	.... EYEBOLT	48..	539 130205	....1	.... PIVOT BEARING
24..	539 114404	....4	.... SPACER				

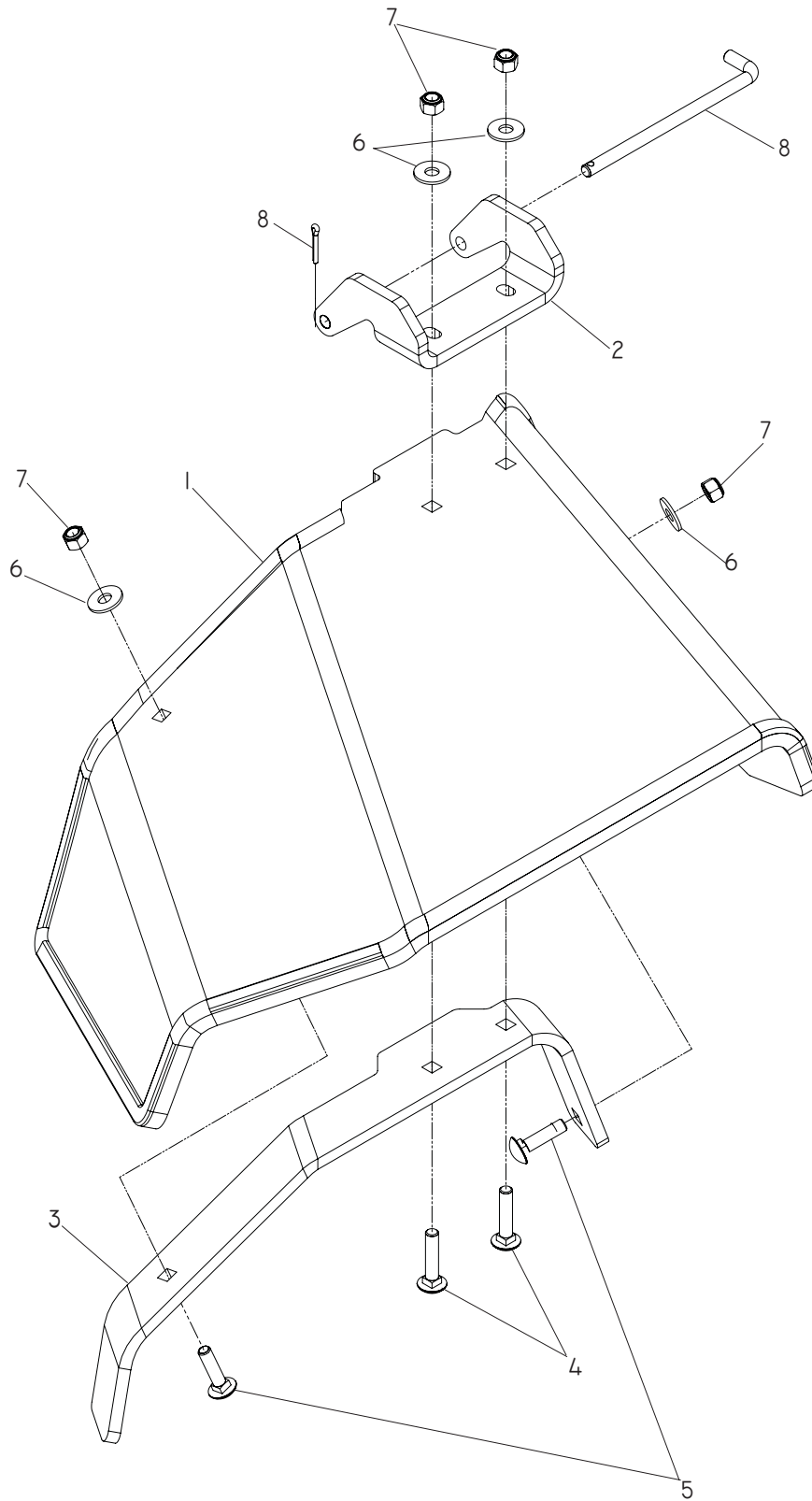
# 72" DECK



# 72" DECK

ITEM	PART NO.	QTY.	DESCRIPTION	ITEM	PART NO.	QTY.	DESCRIPTION
1..	539 111379	....1	.... DECK W/DECALS	25..	539 108073	....4	.... HCS 7/16-14 x 1 3/4
2..	539 114821	....3	.... HOUSING ASM	26..	539 101331	..11	.... NUT 1/2 -13, NYLOC
3..	539 105476	....3	.... BLADE - 25"	27..	539 990550	....4	.... WASHER, 1/2 STD FLT
4..	539 112126	....3	.... PULLEY	28..	539 109246	....4	.... PIN COTTER 1/8 x 1
5..	539 103295	....2	.... IDLER BUSHING	29..	539 107610	....7	.... WHEEL, GAUGE
6..	539 103258	....1	.... IDLER PULLEY (TALL)	30..	539 108366	....7	.... HHB 1/2-13 x 4
7..	539 103257	....1	.... IDLER PULLEY	31..	539 990258	....7	.... NUT 1/2-13 HEX
8..	539 103303	....2	.... PAD, PAINTED	32..	539 976941	....1	.... HCS 3/8-16 x 1 1/4
9..	539 101341	....2	.... HCS 3/8-16 x 3	33..	539 990613	....1	.... NUT 3/8-16 HEX WHIZLK
10..	539 976979	....4	.... NUT 3/8-16 HEX NYLOC	34..	539 108754	....2	.... SHAFT SEAL
11..	539 990333	....3	.... WASHER 5/8 SLW	35..	539 108449	....1	.... BOTTOM DUST CAP
12..	539 103299	....3	.... HCS 5/8-18 x 1 1/4	36..	539 977326	....1	.... GREASE POPPET
13..	539 990627	..12	.... HCS 5/16-18 x 1 1/4	37..	539 101474	....1	.... ZERK
14..	539 990717	..12	.... NUT 5/16-18 HEX NYLOC	38..	539 130653	....3	.... NUT FLANGE 3/4-16
15..	539 105192	....1	.... SPRING	39..	539 130391	....1	.... ARM, IDLER - W/BEARINGS
16..	539 990839	....4	.... NUT 7/16-14 HEX CTRLK GR A	40..	539 130235	....1	.... RHSNB 3/8-16 x 2 3/4
17..	539 110743	....1	.... 72 BELT SHIELD ASM - RT	41..	539 107042	....1	.... HCS 3/8-16 x 1 1/2 GR 8
	539 110744	....1	.... 72 BELT SHIELD ASM - LT	42..	539 109332	....1	.... NUT 3/8-16 HEX JAM
18..	539 111561	....1	.... DECAL, TUNNELRAM 8"	43..	539 990517	....1	.... WASHER, 3/8 FLAT STD
19..	539 108450	....4	.... TOP DUST CAP	44..	539 130242	....1	.... BUSHING, IDLER
20..	539 111897	....4	.... WASHER - 3/8 SPECIAL	45..	539 990122	....1	.... WASHER, 3/8 SAE FLT
21..	539 119227	....4	.... EYEBOLT	46..	539 105477	....1	.... DECK BELT
22..	539 114404	....4	.... SPACER	47..	539 114823	....1	.... CAP, VINYL
23..	539 114405	....4	.... SWIVEL	48..	539 130205	....1	.... PIVOT BEARING
24..	539 112484	....4	.... SPRING WASHER				

# DEBRIS SHIELD





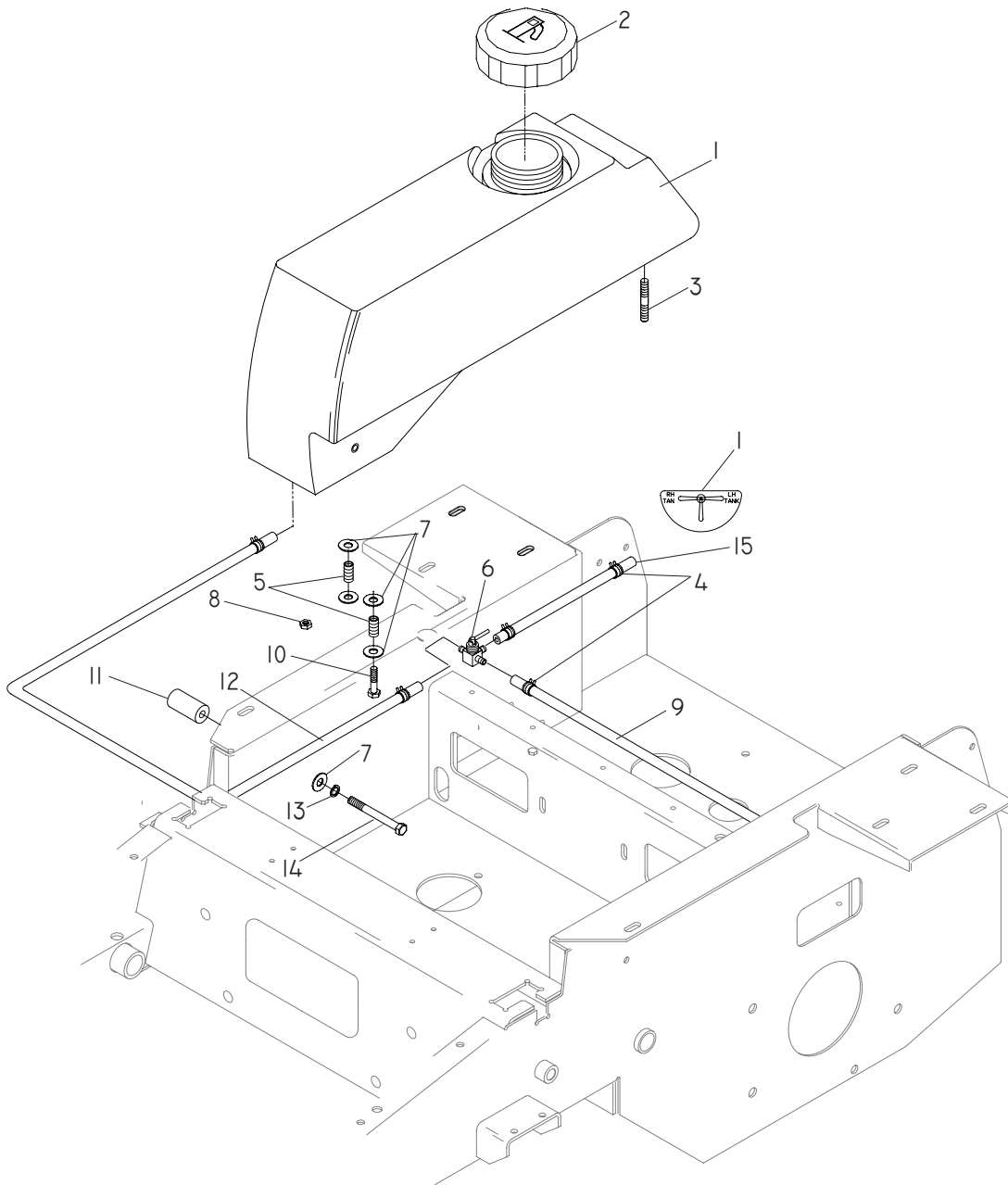
# DEBRIS SHIELD

---

ITEM	PART NO.	QTY.	DESCRIPTION	ITEM	PART NO.	QTY.	DESCRIPTION
1..	539 130779	...1	...DISCHARGE CHUTE, 52-61	4..	539 102933	...2	...RHSNB $\frac{5}{16}$ -18 x 1 $\frac{1}{2}$
	539 130780	...1	...DISCHARGE CHUTE, 72	5..	539 100472	...2	...RHSNB $\frac{5}{16}$ -18 X 1 $\frac{1}{4}$
2..	539 130923	...1	...MOUNTING BRACKET	6..	539 990692	...4	...WASHER, $\frac{5}{16}$ STD FLT
3..	539 130925	...1	...BRCKT REINFRCMNT, 52-61	7..	539 990717	...4	...NUT $\frac{5}{16}$ -18 HEX NYLOC
	539 130926	...1	...BRCKT REINFRCMNT, 72	8..	539 131813	...1	...PIN, CHUTE PIVOT

# FUEL SYSTEM

---

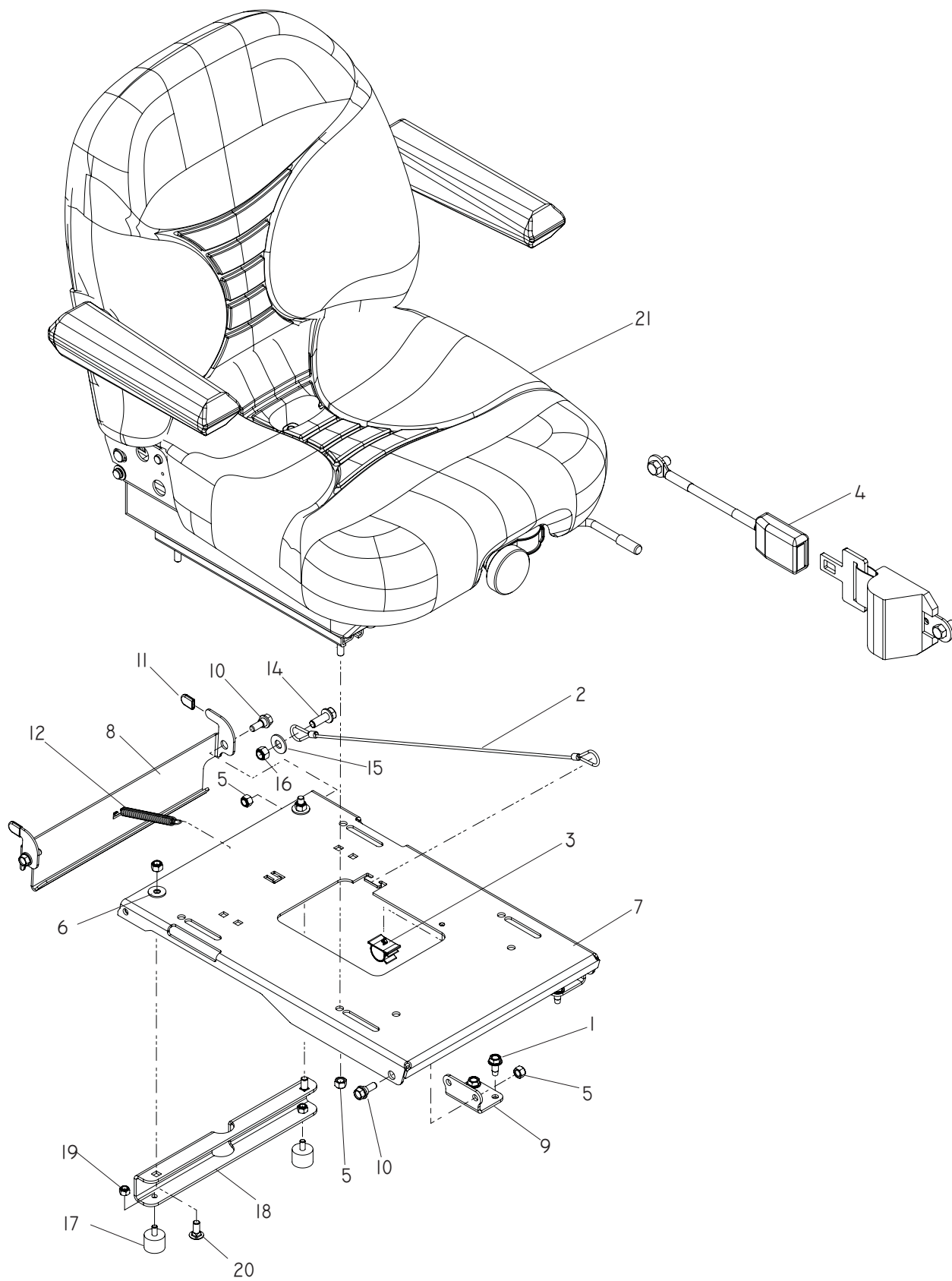


# FUEL SYSTEM

---

ITEM	PART NO.	QTY.	DESCRIPTION	ITEM	PART NO.	QTY.	DESCRIPTION
1..	539 104410....1	....	FUEL TANK RT	9..	539 105280....1	....	FUEL LINE
	539 104409....1	....	FUEL TANK LT	10..	539 990209....2	....	HCS <sup>5</sup> / <sub>16</sub> -18 x 1
2..	539 106188....2	....	FUEL CAP	11..	539 104897....2	....	TANK SPACER
3..	539 102502....6	....	STUD	12..	539 922091....1	....	FUEL LINE
4..	539 912222....6	....	HOSE CLAMP	13..	539 990187....2	....	WASHER <sup>5</sup> / <sub>16</sub> LOCK
5..	539 102845....8	....	SPRING	14..	539 102335....2	....	HCS <sup>5</sup> / <sub>16</sub> X 4.0
6..	539 102679....1	....	FUEL VALVE	15..	539 108212....1	....	FUEL LINE
7..	539 990692..18	....	WASHER, <sup>5</sup> / <sub>16</sub> STD FLT	16..	539 102670....1	....	DECAL, FUEL LINE
8..	539 990184....8	....	NUT <sup>5</sup> / <sub>16</sub> -18 CENTERLOCK				

# SEAT

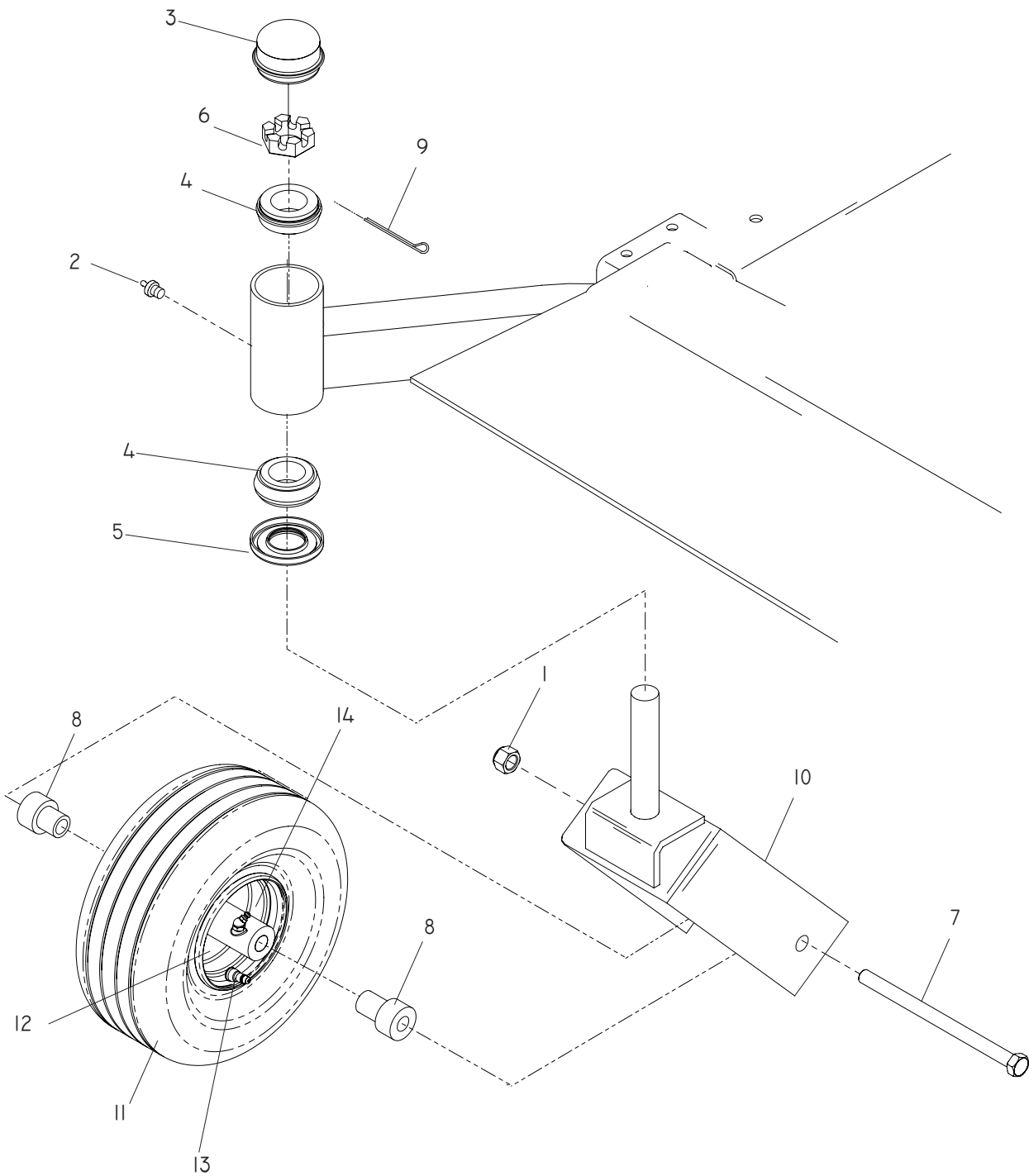


# SEAT

---

ITEM	PART NO.	QTY.	DESCRIPTION	ITEM	PART NO.	QTY.	DESCRIPTION
1	...539 107475	..4	..BOLT <sup>5</sup> / <sub>16</sub> -18 x <sup>3</sup> / <sub>4</sub> THRD FRM	14	...539 990582	.1	..HCS <sup>3</sup> / <sub>8</sub> -16 x 1 WHIZLK
2	...539 103247	..1	..LANYARD, SEAT	15	...539 990517	.1	..WASHER, <sup>3</sup> / <sub>8</sub> FLAT STD ZD
3	...539 110815	..1	..CLIP, PUSH MOUNT WIRE	16	...539 976979	.1	..NUT <sup>3</sup> / <sub>8</sub> -16 HEX NYLOC
4	...539 130359	..1	..SEAT BELT, RETRACTABLE	17	...539 105039	.2	..STUD PLATE MOUNT
5	...539 990717	..6	..NUT <sup>5</sup> / <sub>16</sub> -18 HEX NYLOC	18	...539 132332	.1	..STANDOFF, SEAT PAN
6	...539 990692	..2	..WASHER, <sup>5</sup> / <sub>16</sub> STD FLT	19	...539 976978	.2	..NUT <sup>1</sup> / <sub>4</sub> -20 HEX NYLOC ZD
7	...539 130785	..1	..PAN, SEAT	20	...539 990316	.2	..RHSNB <sup>5</sup> / <sub>16</sub> -18 x <sup>3</sup> / <sub>4</sub> ZD
8	...539 130787	..1	..LATCH, SEAT	21	...539 132203	..1	..SEAT
9	...539 130789	..2	..PIVOT, SEAT PAN				for Serial No. 074439861 and after
10	...539 130896	..4	..BOLT <sup>5</sup> / <sub>16</sub> -18 HEX HD	...539 130874	..1	..SEAT	for units produced before Serial No. 074439861
11	...539 130898	..2	..GRIP, VINYL				
12	...539 977250	..1	..SPRING				
13	...539 990209	..2	..HCS <sup>5</sup> / <sub>16</sub> -18 x 1				

# CASTER



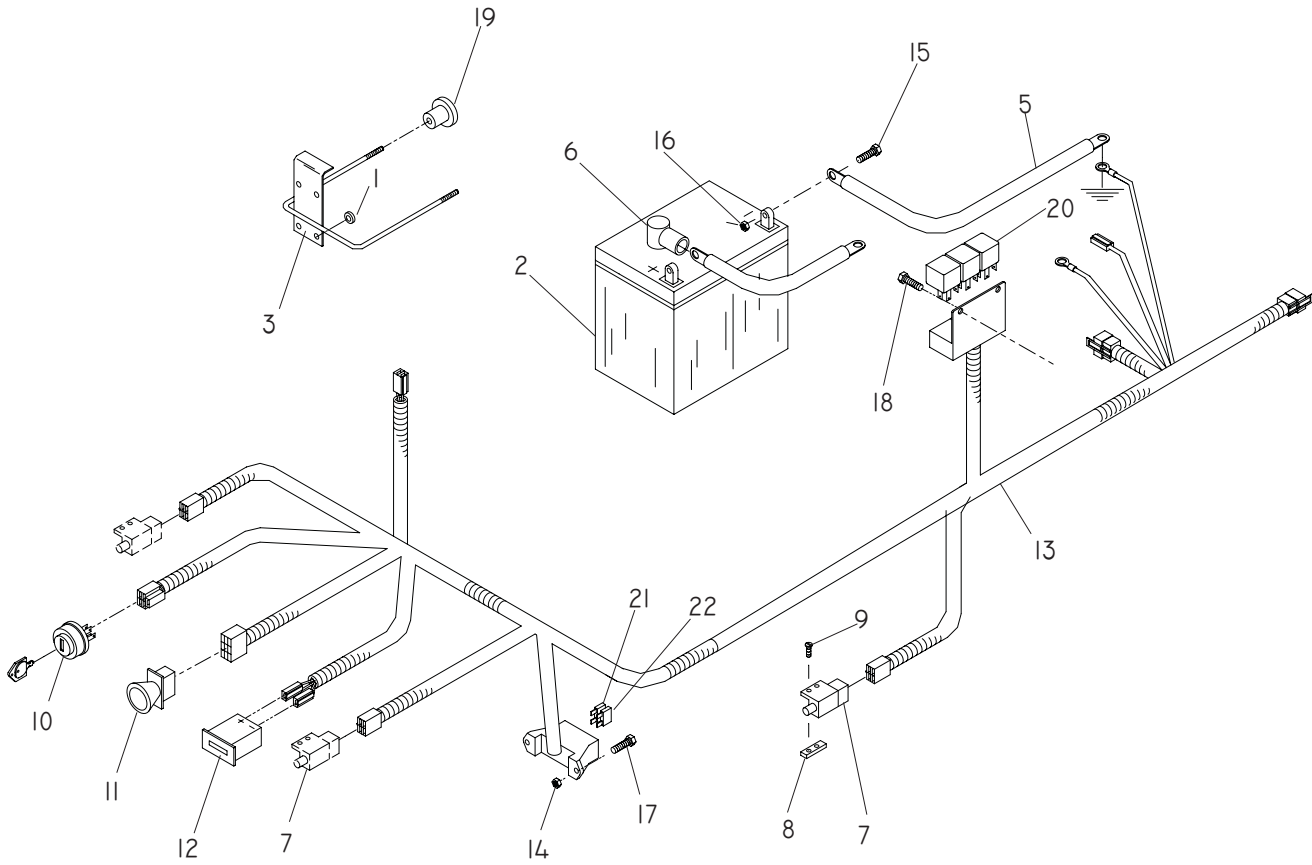
# CASTER

---

ITEM	PART NO.	QTY.	DESCRIPTION	ITEM	PART NO.	QTY.	DESCRIPTION
1..	539 101331....	1 ....	NUT ½ -13, NYLOC	8..	539 105518....	1 ....	SPACER
2..	539 101474....	1 ....	ZERK	9..	539 102889....	1 ....	PIN COTTER, 1/8 x 2
3..	539 102535....	1 ....	CAP GREASE	10..	539 105982....	1 ....	CASTER YOKE
4..	539 102543....	2 ....	BEARING, TAPERED	11..	539 105521....	1 ....	TIRE, COMPLETE
5..	539 102851....	1 ....	SEAL	12..	539 105523....	1 ....	RIM
6..	539 102852....	1 ....	NUT 1-14, SLOTTED JAM	13..	539 912234....	1 ....	VALVE STEM
7..	539 105517....	1 ....	HCS, ½-13 x 9½	14..	539 103300....	1 ....	ZERK

# ELECTRICAL

For Units Produced Before Serial No. 074439861





# ELECTRICAL

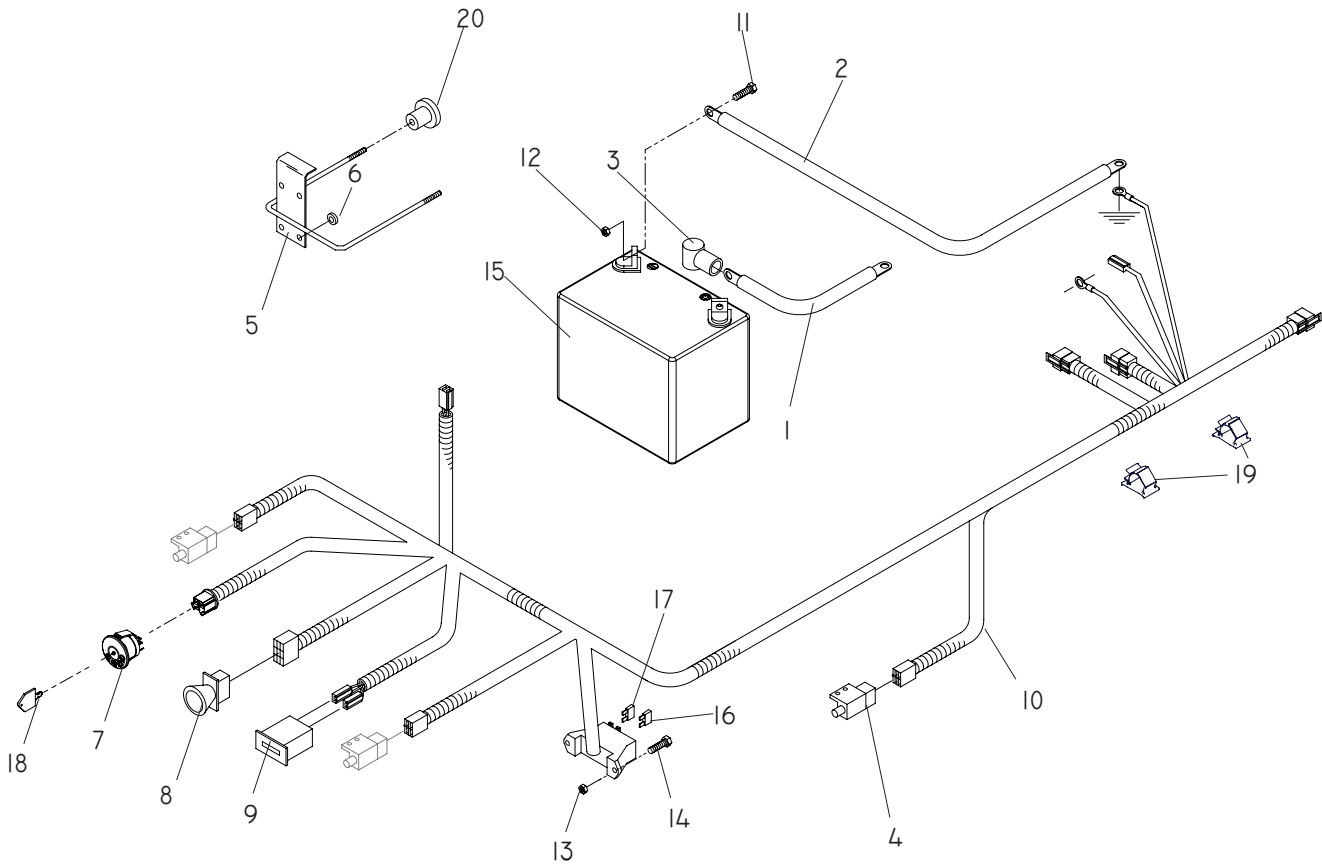
---

For Serial No. 074439861 and after

ITEM	PART NO.	QTY.	DESCRIPTION	ITEM	PART NO.	QTY.	DESCRIPTION
1	...539 102587	..4	..BUMPER	12	...539 110074	..1	..METER, HOUR
2	...539 102436	..1	..BATTERY, DRY	13	...539 110950	..1	..HARNESS, FRAME
3	...539 105728	..1	..BATTERY HOLD DOWN	14	...539 976977	..2	..NUT 10-24, NYLOC
4	...539 104974	..1	..CABLE, POSITIVE	15	...539 976934	..2	..HCS, $\frac{5}{16}$ -18 X $\frac{3}{4}$
5	...539 102758	..1	..CABLE, NEGATIVE	16	...539 990717	..2	..NUT $\frac{5}{16}$ -18 HEX NYLOC
6	...539 102759	..2	..INSULATOR	17	...539 102617	..2	..SCREW, 10-24 x $\frac{7}{8}$
7	...539 101080	..3	..SWITCH, INTERLOCK	18	...539 991034	..2	..SCREW, SELF TAPPING
8	...539 102678	..1	..SCREW PLATE	19	...539 105169	..2	..KNOB
9	...539 976952	..2	..SCREW, 10-24 x $\frac{5}{8}$	20	...539 102914	..3	..RELAY
10	...539 107541	..1	..SWITCH, IGNITION	21	...539 101771	..1	..FUSE, 7.5 AMP 32V ATO
11	...539 131627	..1	..SWITCH, BLADE	22	...539 102086	..1	..FUSE, 20 AMP, 32V, ATO

# ELECTRICAL

For Units Produced After Serial No. 074439861



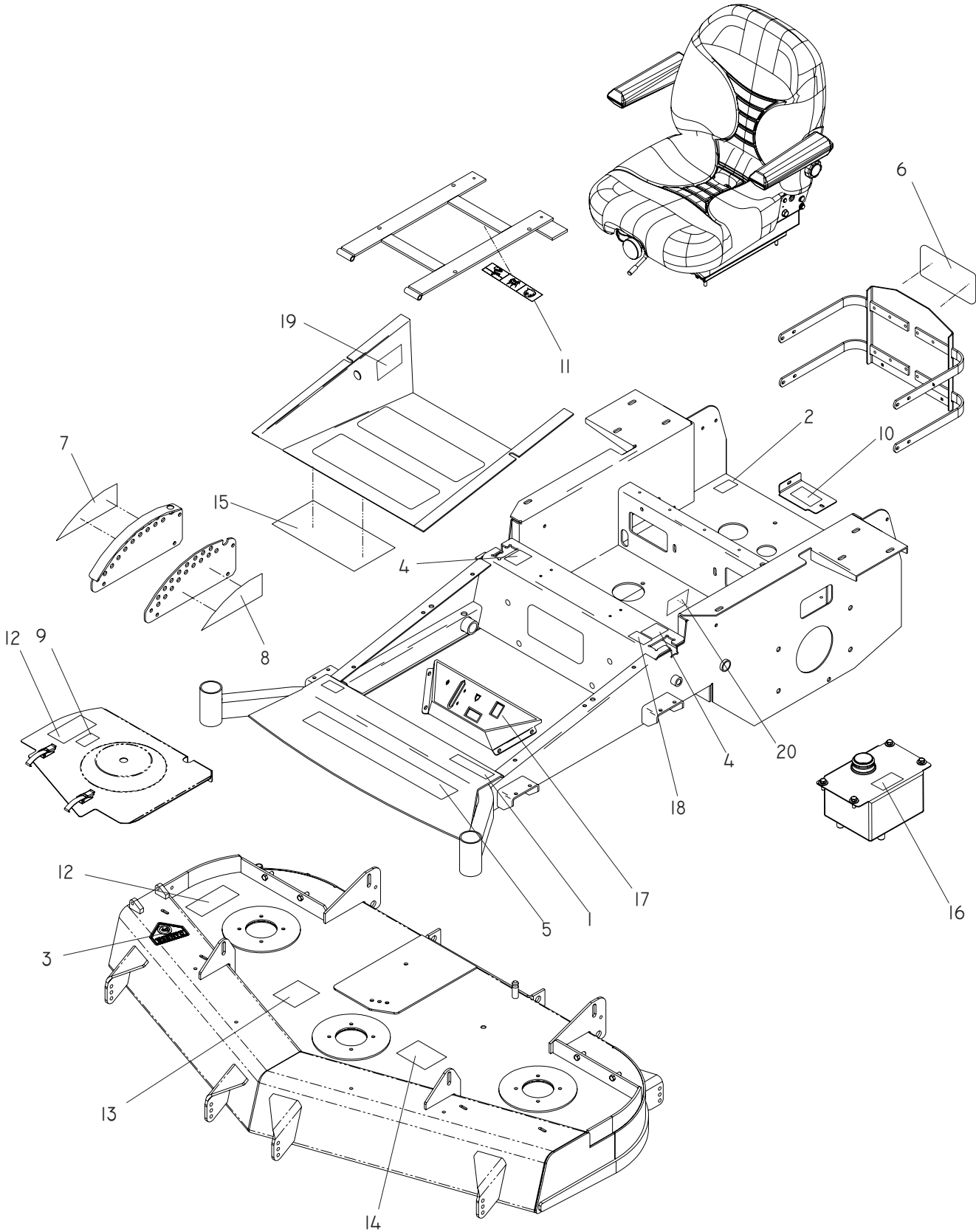
# ELECTRICAL

---

For Serial No. 074439861 and after

ITEM	PART NO.	QTY.	DESCRIPTION	ITEM	PART NO.	QTY.	DESCRIPTION
1	...539 104974	..1	..CABLE, POSITIVE	11	...539 976934	..2	..HCS, $\frac{5}{16}$ C x $\frac{3}{4}$
2	...539 102758	..1	..CABLE, NEGATIVE	12	...539 990717	..2	..NUT $\frac{5}{16}$ -18 HEX NYLOC
3	...539 102759	..2	..INSULATOR	13	...539 976977	..2	..NUT 10-24, NYLOC
4	...539 113792	..1	..INTERLOCK SWITCH	14	...539 102617	..2	..SCREW, 10-24 x $\frac{7}{8}$
5	...539 105728	..1	..BATTERY HOLD DOWN	15	...539 102436	..1	..BATTERY, DRY
6	...539 102587	..4	..BUMPER	16	...539 101771	..1	..FUSE, 7.5 AMP, 32V, ATO
7	...539 107541	..1	..SWITCH, IGNITION	17	...539 102086	..1	..FUSE, 20 AMP, 32 V, ATO
8	...539 131627	..1	..SWITCH, PTO	18	...539 107544	..1	..KEY, PADDED
9	...539 110074	..1	..METER, HOUR	19	...539 110815	..2	..CLIP, PUSH MOUNT WIRE
10	...539 113791	..1	..FRAME HARNESS	20	...539 105169	..2	..KNOB

# DECALS



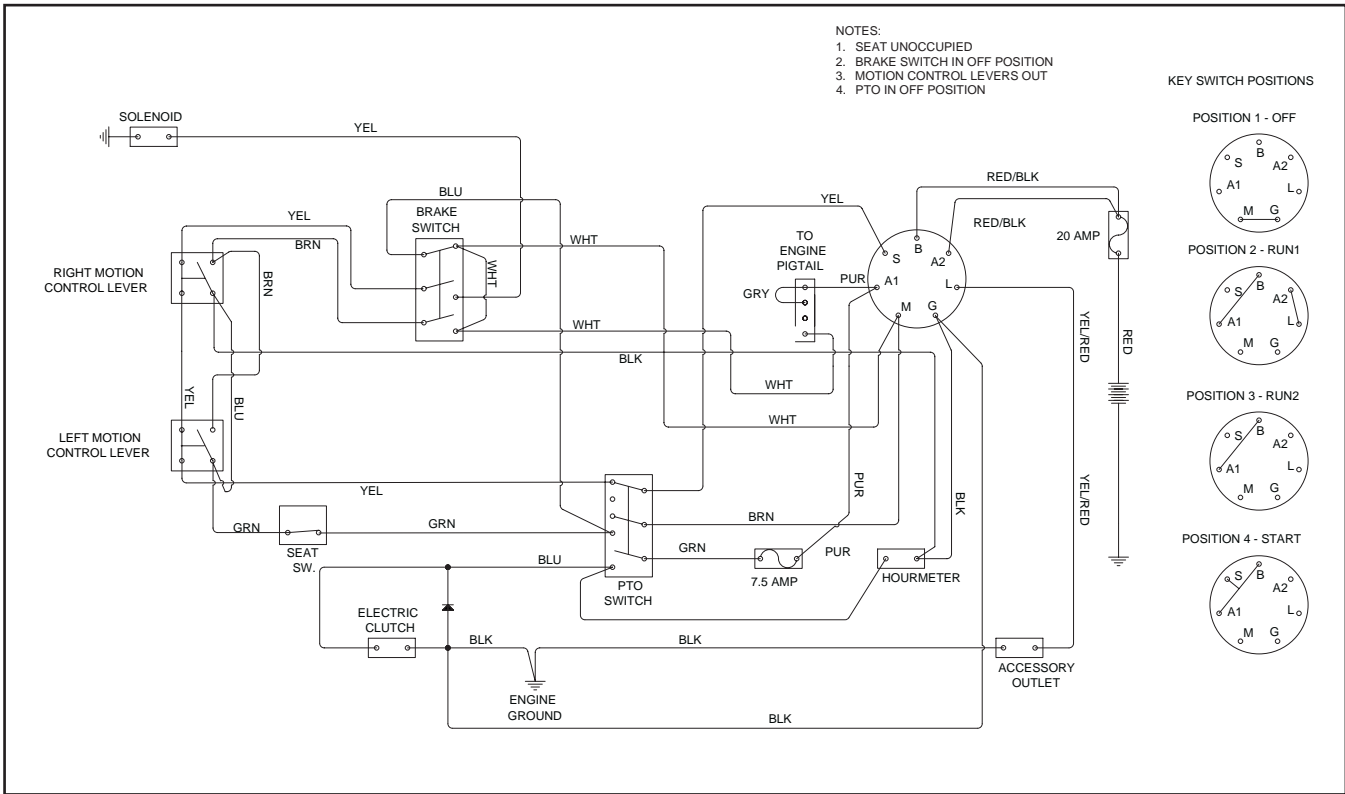
# DECALS

---

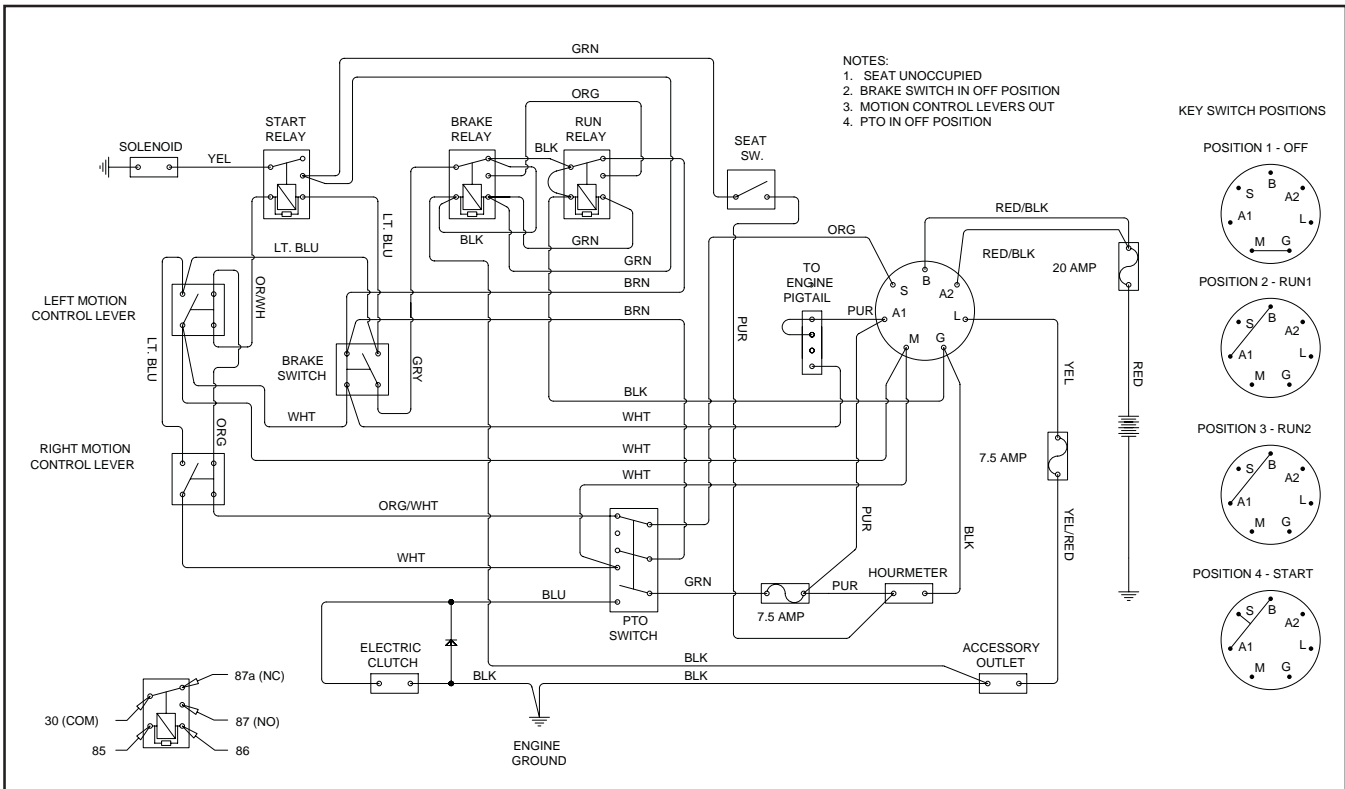
ITEM	PART NO.	QTY.	DESCRIPTION	ITEM	PART NO.	QTY.	DESCRIPTION
1	..539 112701..	1	..DECAL, LZ5227	12	..539 105746..	2	..DECAL, SEVERING
	..539 112702..	1	..DECAL, LZ6130	13	..539 105232..	1	..DECAL, ANTI-SCALP
	..539 112703..	1	..DECAL, LZ7230	14	..539 105012..	1	..DECAL, BELT ROUTING
	.. 539 111120..	1	..DECAL, LZ6127	15	..539 105011..	1	..DECAL, SERVICE
	..539 110259..	1	..DECAL, LZ30	16	..539 114832..	1	..DECAL, OIL TANK
2	..539 101881..	1	..DECAL, PROP 65	17	..539 110956..	1	..DECAL, CONSOLE
3	..539 913010..	1	..DECAL, WARNING	18	..539 110974..	1	..DECAL, TRACKING
4	..539 103333..	2	..DECAL, MOTION CONTROL	19	..539 111575..	1	..DECAL, WARNING
5	.. 539 111046..	1	..DECAL, HUSQVARNA	20	..539 111597..	1	..DECAL, RELAYS
6	.. 539 111055..	1	..DECAL, HUSQVARNA CROWN		NOT SHOWN		
7	..539 104898..	1	..DECAL, HEIGHT INDICATOR		..539 100128..	1	..DECAL, EXHAUST
8	..539 104899..	1	..DECAL, HEIGHT INDICATOR		..539 102670..	1	..DECAL, FUEL LINE
9	..539 105743..	2	..DECAL, NO STEP				
10	..539 105744..	1	..DECAL, DANGER BELT DRIVE				
11	..539 105745..	1	..DECAL, BATTERY WARNING				

# SCHEMATIC

For unit produced before Serial No. 074439861

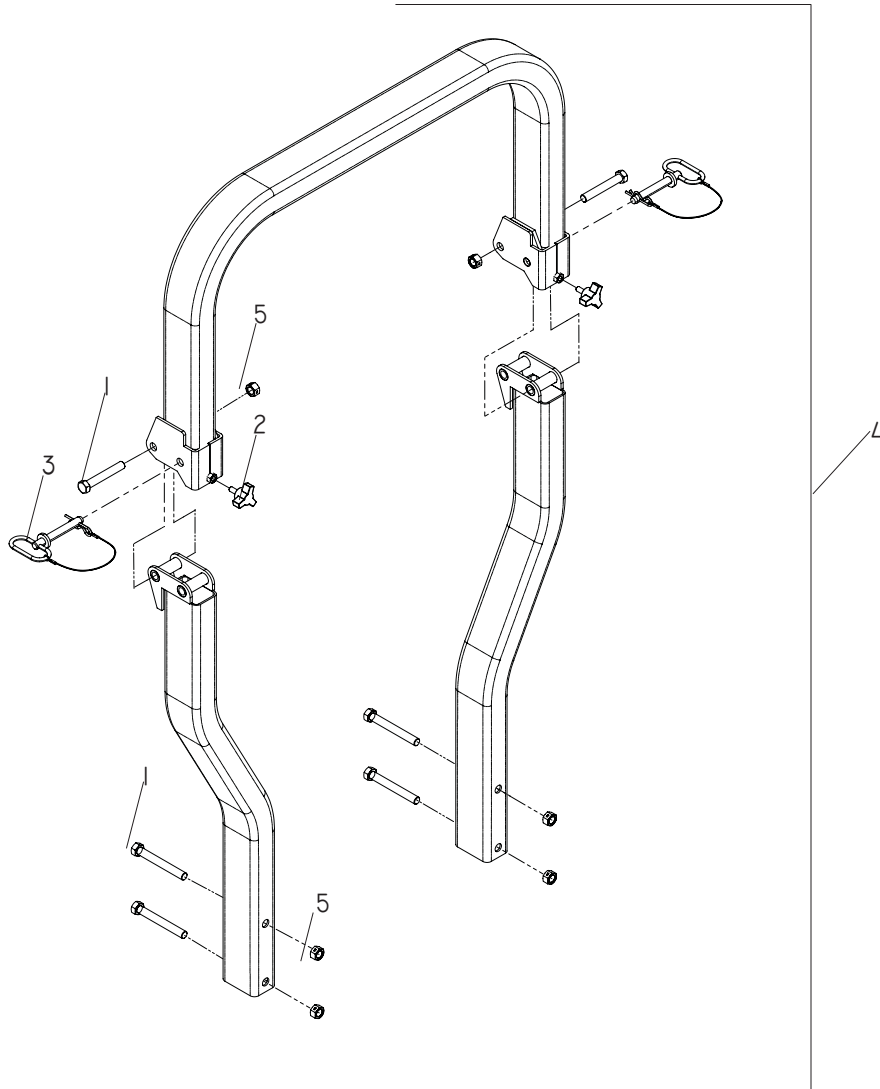


For Serial No. 074439861 and after



# PROTECTION FRAME

## Rollover Protection System (ROPS)

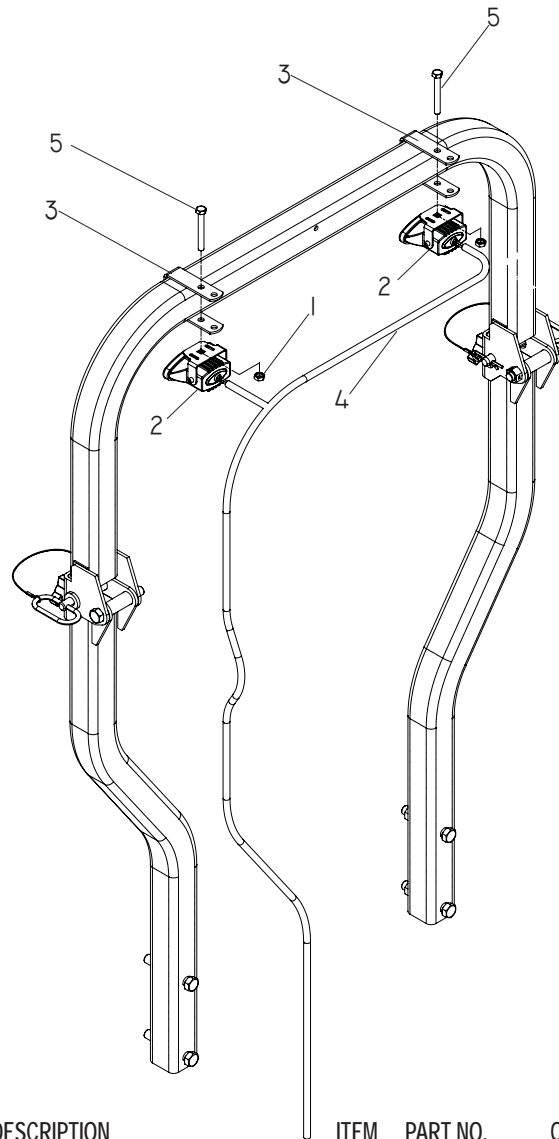


ITEM	PART NO.	QTY.	DESCRIPTION
1	539 103433	6	HCS 1/2-13 x 3/4
2	539 132083	2	KNOB W/ STUD
3	539 111036	2	LANYARD W/PIN, 1/2"

ITEM	PART NO.	QTY.	DESCRIPTION
4	539 111444	1	ROPS, COMP W/SEAT BELT
5	539 200100	6	NUT 1/2 -13, CENTERLOCK

# ACCESSORIES

## Light Kit - 539 111579



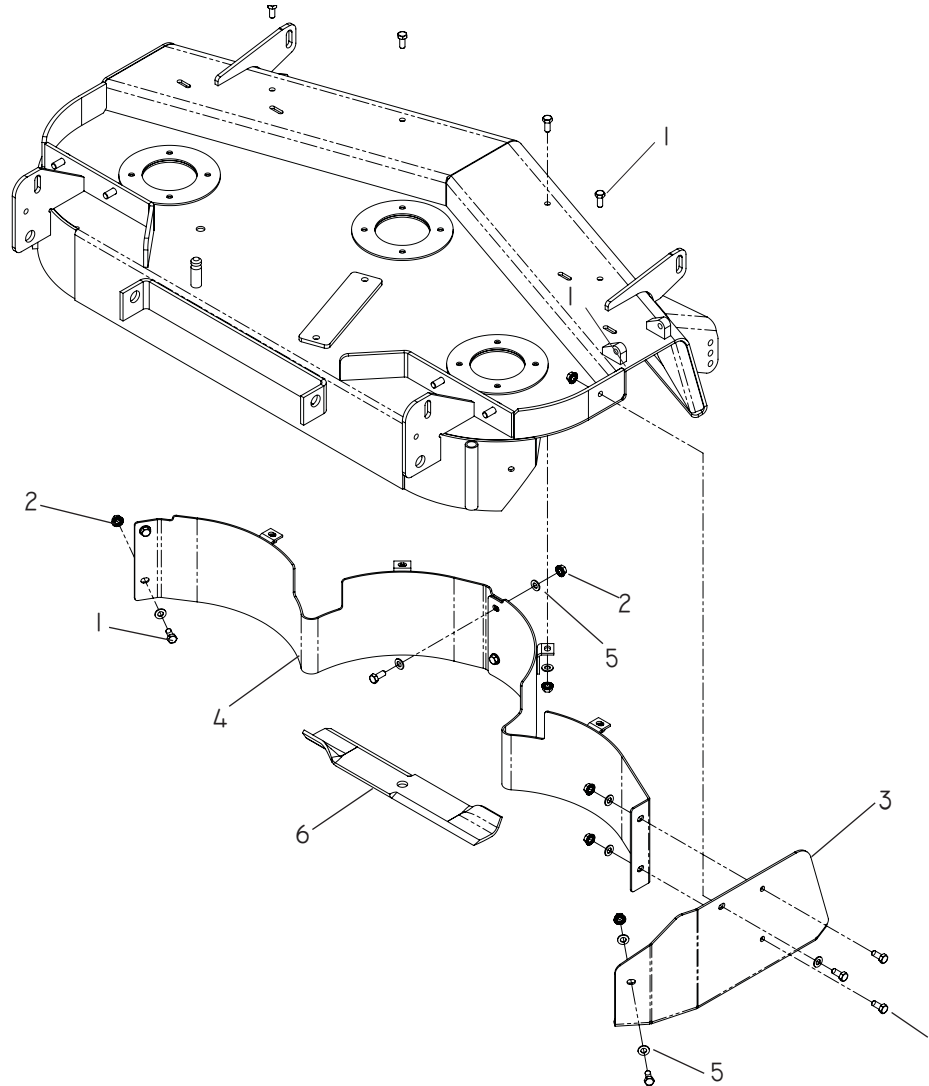
ITEM	PART NO.	QTY.	DESCRIPTION
1	...539 107897	..2	..NUT $\frac{5}{16}$ -18, JAM
2	... 539 111577	..2	..LIGHT W/BRKT & HRDWARE
3	... 539 111578	..2	..LIGHT MOUNTING BRACKET
4	... 539 111580	..1	..LIGHT HARNESS
5	...539 991046	..2	..HCS, $\frac{5}{16}$ -18 x 2½

ITEM	PART NO.	QTY.	DESCRIPTION
NOT SHOWN			
	...539 976856	16	..WIRE TIES
	... 539 111815	..1	..REPLACEMENT BULB 12V, 35 WATT (NOT INCLUDED IN KIT)



# ACCESSORIES

HCS13 - Mulch Kit 539 111352 - 52"  
 539 111353 - 61"  
 539 111351 - 72"

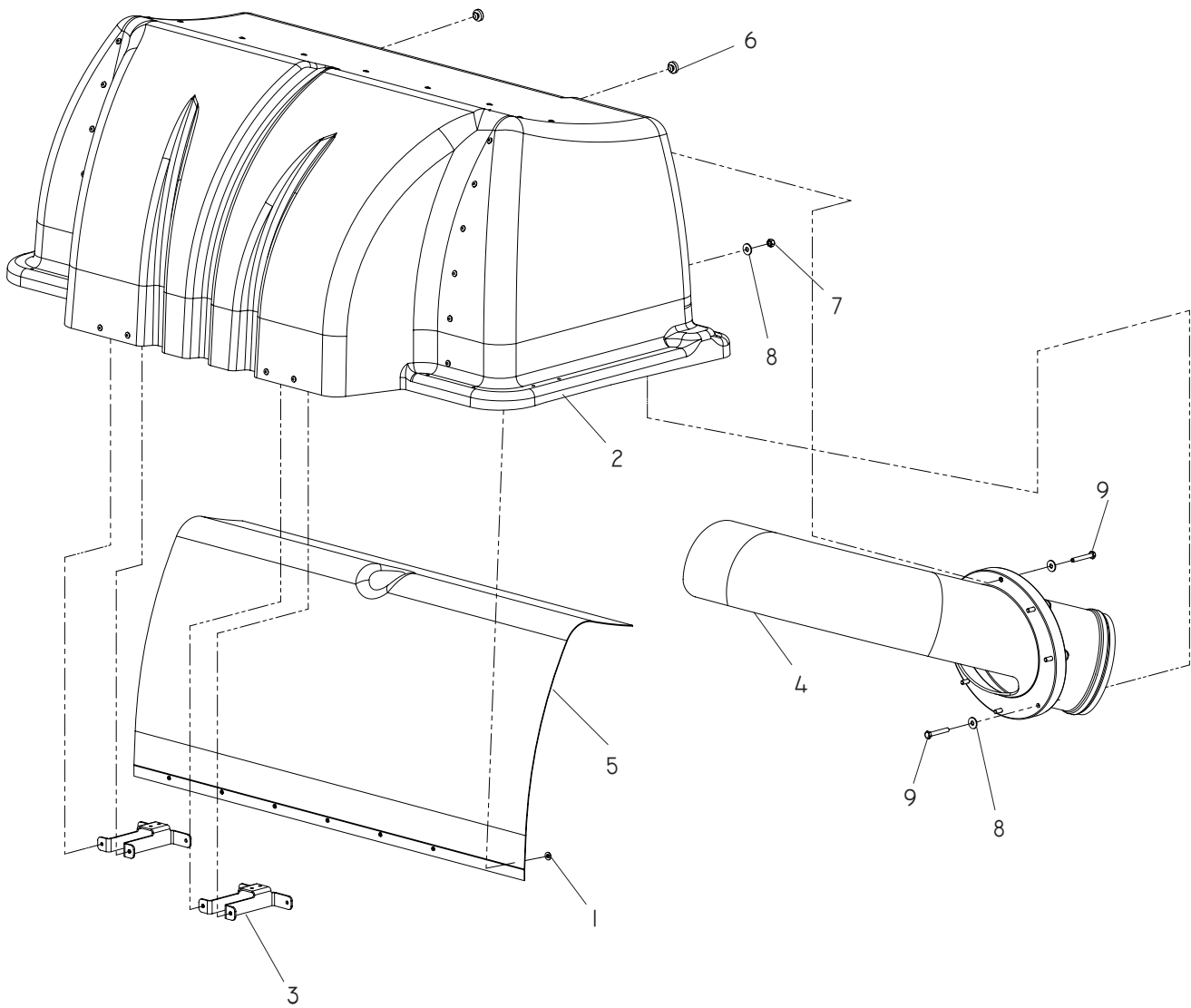


ITEM	PART NO.	QTY.	DESCRIPTION
1	...539 976934..	12....	HCS, $\frac{5}{16}$ -18 X $\frac{3}{4}$
2	...539 990585..	12....	NUT $\frac{5}{16}$ -18, WHIZ
3	...539 110712....	1....	BAFFLE, RT, 52" DECK
	...539 110717....	1....	BAFFLE, RT, 61" DECK
	...539 110722....	1....	BAFFLE, RT, 72" DECK
4	...539 110710....	1....	BAFFLE, LT, 52" DECK
	...539 110715....	1....	BAFFLE, LT, 61" DECK
	...539 110720....	1....	BAFFLE, LT, 72" DECK

ITEM	PART NO.	QTY.	DESCRIPTION
5	..539 990188..	15....	WASHER, $\frac{5}{16}$ , SAE
6	...539 109757....	3....	BLADE 52" DECK
	...539 109755....	3....	BLADE 61" DECK
	...539 105571....	3....	BLADE 72" DECK
7	...539 110714....	1....	52" MULCH CAP

# ACCESSORIES

## HCS9 - 539 113756 HOOD ASSEMBLY

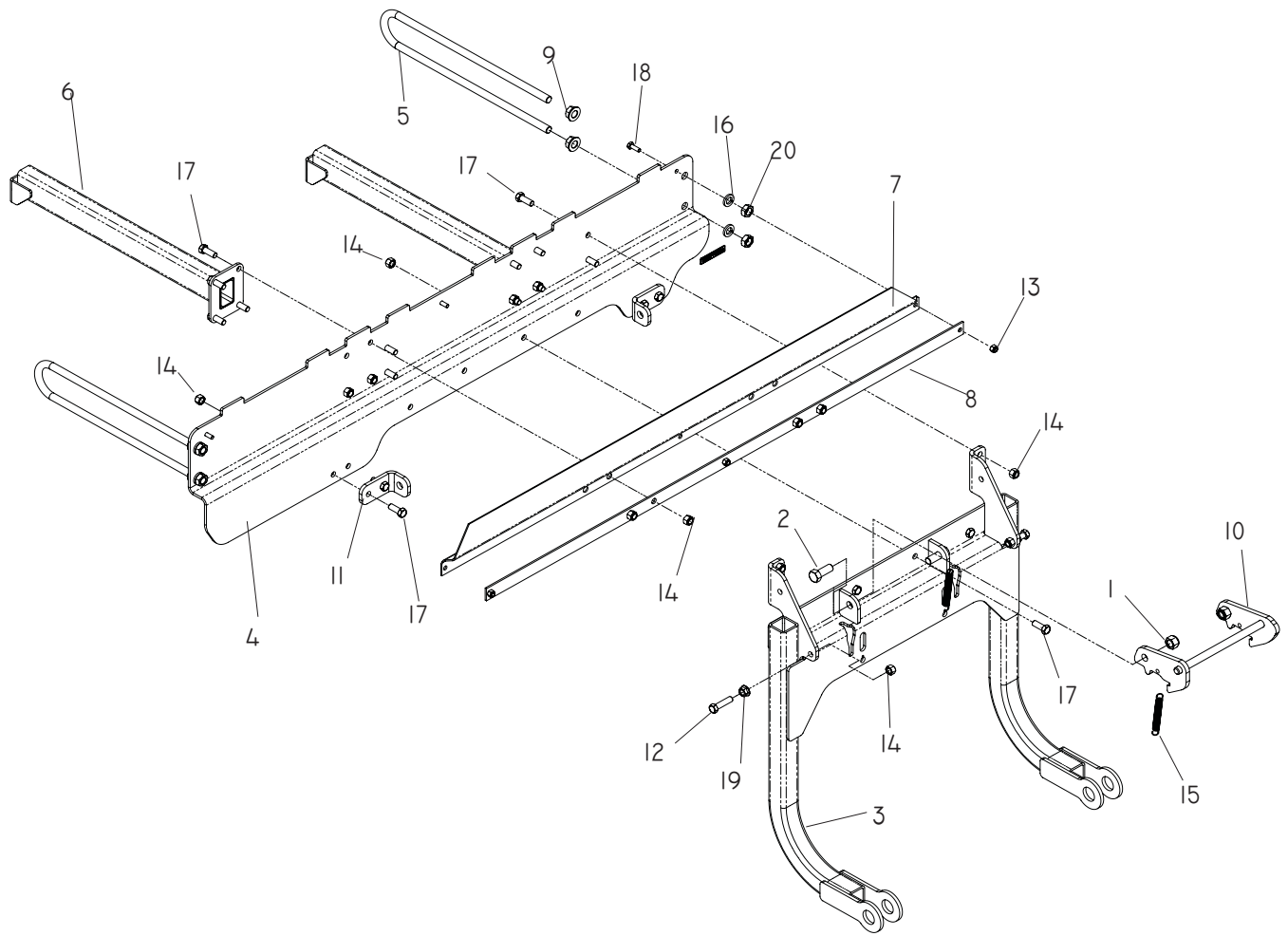


ITEM	PART NO.	QTY.	DESCRIPTION
1	539 10540821	1	WASHER, #10
2	539 111172	1	HOOD
3	539 111175	2	SUPPORT, DRAW LATCH
4	539 111182	1	INLET TUBE
5	539 111183	1	MESH, POLY DIAMOND

ITEM	PART NO.	QTY.	DESCRIPTION
6	539 102587	6	GROMMET
7	539 976978	8	NUT, ¼ -20, NYLOC
8	539 990598	16	WASHER, ¼
9	539 991003	8	HCS, ¼ -20 x 1¾

# ACCESSORIES

## HCS9 - 539 111280 HITCH ASSEMBLY

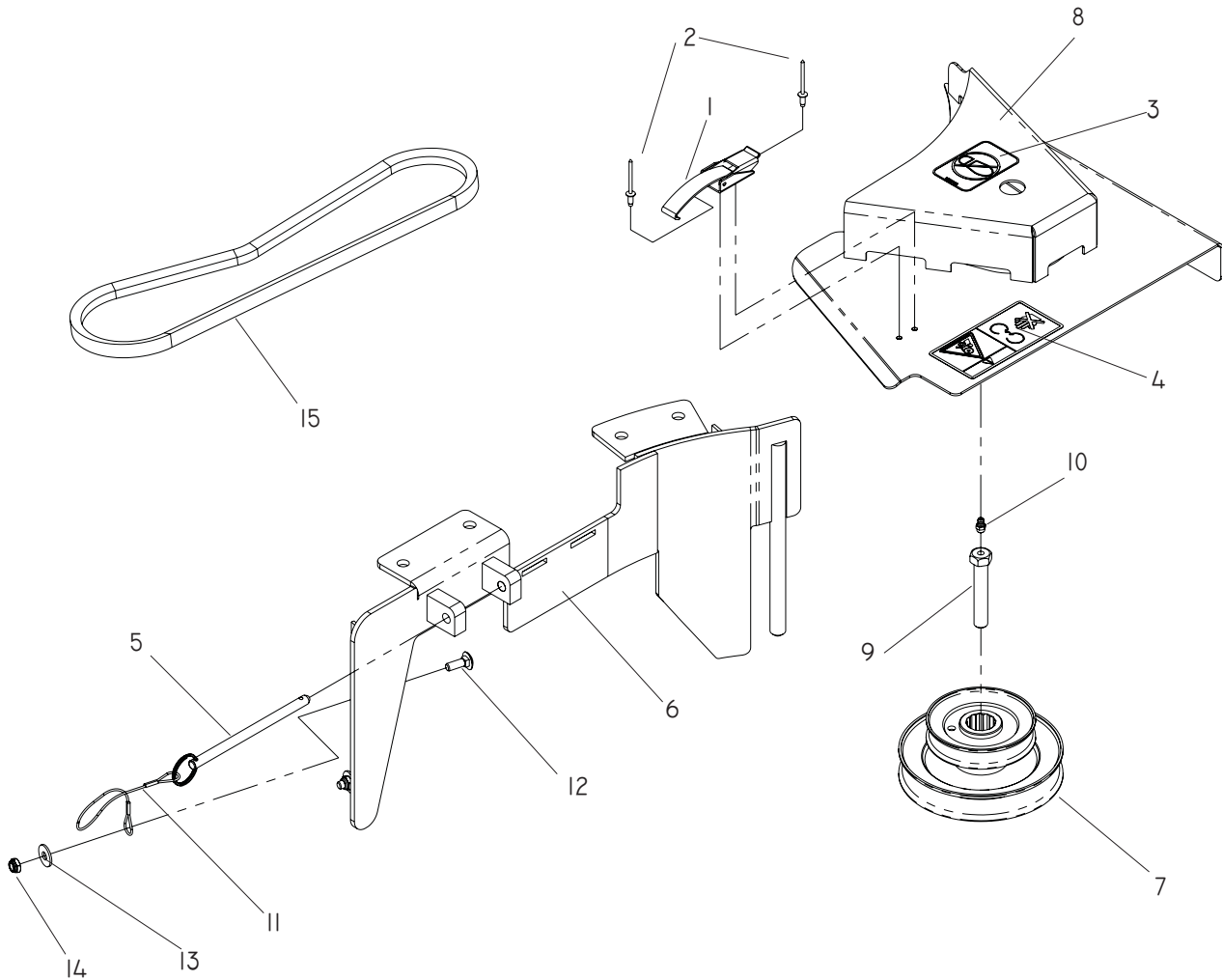


ITEM	PART NO.	QTY.	DESCRIPTION
1	...539 101331	..2	..NUT, ½ -13, NYLOC
2	...539 108369	..2	..HCS, ½ -13 x 1¼
3	... 539 111155	..1	..HITCH
4	... 539 111157	..1	..MOUNT Z BRACE
5	... 539 111158	..2	..SUPPORT, OUTER
6	... 539 111162	..2	..SUPPORT ARM
7	... 539 111167	..1	..SEAL, RUBBER
8	... 539 111171	..1	..SEAL STRAP
9	... 539 111187	..4	..NUT, ½ -13, WHIZLK
10	... 539 111190	..1	..LATCH
11	... 539 111267	..2	..BRACKET, SUPPORT
12	...539 990655	..2	..HCS, ¾ -16 x 1½

ITEM	PART NO.	QTY.	DESCRIPTION
13	...539 976978	..3	..NUT, ¼ -20, NYLOC
14	...539 976979	..22	..NUT, ¾ -16, NYLOC
15	...539 977250	..2	..SPRING
16	...539 990254	..4	..LOCKWASHER, ½
17	...539 990563	..20	..HCS, ¾ -16 x 1
18	...539 990580	..3	..HCS, ¼ -20 x ¾
19	...539 990613	..2	..NUT, ¾ -16, WHIZLK
20	...539 990625	..4	..NUT, ½ -13, JAM
NOT SHOWN			
	...539 917150	..1	..DECAL, PATENT PENDING

# ACCESSORIES

HCS13 - Drive Kit 539 111277 - 52"  
539 111278 - 61"



ITEM	PART NO.	QTY.	DESCRIPTION
1	...539 109660..	1	..DRAW LATCH
2	...539 110740..	2	..RIVET
3	...539 105743..	1	..DECAL, NO STEP
4	...539 105744..	1	..DECAL, DANGER BELT DRIVE
5	... 539 111270..	1	..PIN
6	... 539 111264..	1	..BLOWER DECK PLATE, 52
	... 539 111240..	1	..BLOWER DECK PLATE, 61
7	... 539 111256..	1	..PULLEY, STACKED 52
	... 539 111257..	1	..PULLEY, STACKED 61

ITEM	PART NO.	QTY.	DESCRIPTION
8	... 539 111273..	1	..SHIELD W/DECALS & LTCH, 52
	... 539 111274..	1	..SHIELD W/DECALS & LTCH, 61
9	...539 112138..	1	..HCS, 7/16 -20 X 2 1/2, GR8
10	...539 976998..	1	..ZERK
11	...539 102563..	1	..LANYARD
12	...539 990074..	4	..RHSNB, 1/4 -20 X 3/4, GR2
13	...539 990598..	4	..WASHER, 1/4
14	...539 108120..	4	..NUT 1/4 -20, JAM, NYLOC
15	...539 111306..	1	..BELT, 52
	... 539 111307..	1	..BELT, 61

# Husqvarna WARRANTY STATEMENT

## **SECTION 1: LIMITED WARRANTY**

Husqvarna Forest & Garden Company ("Husqvarna") warrants Husqvarna product to the original purchaser to be free from defects in material and workmanship from the date of purchase for the "Warranty Period" of the product as set forth below: **Lifetime Warranty (Parts and Labor):** All tiller tines and trimmer shafts against breakage. Proof of purchase required.

**Lifetime Warranty ("PARTS ONLY" after initial warranty expiration):** Ignition coils and modules on handheld product. Proof of purchase required.

### **WARRANTY SCHEDULE FOR TURF CARE Equipment - Zero Turn Riders**

(New warranty applies to units sold after August 1, 2005. Also applies to units factory-equipped with R.O.P.S.)

**EZ Zero Turn Riders:** 3 year consumer warranty or 600 hours of use (when used solely at the owner's residence.)

**EZ & MZ Zero Turn Riders:** 1 year commercial warranty or 600 hours of use.

**iZ, LZ & BZ Zero Turn Riders:** 5 year consumer warranty or 1,500 hours of use.

**iZ, LZ & BZ Zero Turn Riders:** 5 year commercial warranty or 1,500 hours of use.

**3 Year or 1,500 Hour Commercial Use Warranty:** spindles on zero turn riders, hydraulic pumps and wheel motors.

Warranty Schedule for Turf Care Walk Behind Units - W, WG & WH Zero Turn Riders - 3 year consumer and commercial warranty. New warranty applies to units sold after August 1, 2005. Also applies to units factory-equipped with R.O.P.S.

**2 Year COMMERCIAL and CONSUMER Warranty:** all Husqvarna ground-engaging commercial equipment.

### **WARRANTY SCHEDULE FOR CONSUMER TURF CARE EQUIPMENT:**

**2 Year Consumer Warranty:** Automatic mower, all Residential Zero Turn Riders, all lawn, yard and garden tractors, all noncommercial walk behind mowers, tillers, snow blowers, electrical products and power-assist collection systems for noncommercial, nonprofessional, noninstitutional or nonincome producing use, except as herein stated. All consumer product use must have been limited to the owner's residence.

### **WARRANTY SCHEDULE FOR CONSUMER FOREST & GARDEN EQUIPMENT:**

**2 Year Consumer Warranty:** all consumer chain saws, trimmers, brushcutters, clearing saws, handheld blowers, backpack blowers, hedge trimmers, and electrical products for noncommercial, nonprofessional, noninstitutional or nonincome producing use, except as herein stated. All consumer product use must have been limited to the owner's residence.

**2 Year or 2,000 Hour Powertrain & 1 Year or 1,000 Hour Body Warranty:** Husqvarna Utility Vehicles.

**1 Year Warranty:** Power cutters, stump grinder, pole pruners and pole saws for non-commercial, non-professional, noninstitutional, non-municipality or non-income producing use. All 300 series trimmers, brushcutters, clearing saws, hovering trimmers, stick edgers, backpack blowers, hand held blowers, hedge trimmers, power-assist collection systems for commercial, institutional, professional or income producing purposes or use.

**1 Year Conditional Component Warranty:** Chain saw crankshafts for commercial/professional use (parts and labor). Saw must be operated with Husqvarna XP 2 cycle oil.

**90 Day Commercial Warranty:** Automatic mower, chain saws, 100 series trimmers, power cutters, stump grinders, pole saws, pole pruners, snow throwers, model series 580 & 600 walk-behind mowers, or any Husqvarna product used for commercial, institutional, professional, municipality or income producing purposes or use except as otherwise provided herein.

**Batteries:** 1 year prorated limited warranty with 100% replacement during the first 6 months.

**Rental Warranty:** 90 days on all applicable professional equipment reference warranty time period charts located in the back of the Retailer Warranty Policy & Procedure Manual.

**Husqvarna Safety Apparel** carries a 90-day warranty from the date of the customer's original purchase for defects in material and workmanship. Normal wear, tear or abuse is not covered under warranty. Product must be returned to Charlotte with a warranty claim form. All care and maintenance instructions must be followed as stated by the manufacturer on the care label. The fit of the protective apparel/boot is not covered under warranty.

**30 Day Warranty:** Replacement parts, accessories including bars and chains, tools and display items. Emission control system components necessary to comply with CARB-TIER II and EPA regulations, except for those components which are part of engine systems manufactured by third part engine manufacturers for which the purchaser has received a separate warranty with product at time of purchase.

## **SECTION 2: HUSQVARNA'S OBLIGATIONS UNDER THE WARRANTY**

Husqvarna will repair or replace defective components without charge for parts or labor if a component fails because of a defect in material or workmanship during the warranty period.

## **SECTION 3: ITEMS NOT COVERED BY THIS WARRANTY**

The following items are not covered by this warranty:

(1) Normal customer maintenance items which become worn through normal regular use, including, but not limited to, belts, blades, blade adapters, bulbs, clutches, clutch drums, filters, guide bars, lubricants, rewind springs, saw chain, spark plugs,

starter ropes and tiller tines;

(2) Natural discoloration of material due to ultraviolet light;

(3) Engine and drive systems not manufactured by Husqvarna; these items are covered by the respective manufacturer's warranty as provided in writing with the product information supplied at the time of purchase; all claims must be sent to the appropriate manufacturer;

(4) Lawn and garden attachments are covered by a third party which gives a warranty, all claims for warranty should be sent to the manufacturer,

(5) Commercial or consumer mowing decks with sand abrasion damage.

(6) Emission Control System components necessary to comply with CARB-TIER II and EPA regulations which are manufactured by third party engine manufacturer.

## **SECTION 4: EXCEPTIONS AND LIMITATIONS**

This warranty shall be inapplicable to defects resulting from the following:

(1) Accident, abuse, misuse, negligence and neglect, including stale fuel, dirt, abrasives, moisture, rust, corrosion, or any adverse reaction due to incorrect storage or use habits;

(2) Failure to operate or maintain the unit in accordance with the Owner's/Operator's manual or instruction sheet furnished by Husqvarna;

(3) Alterations or modifications that change the intended use of the product or affects the product's performance, operation, safety, or durability, or causes the product to fail to comply with any applicable laws; or:

(4) Additional damage to parts or components due to continued use occurring after any of the above.

REPAIR OR REPLACEMENT AS PROVIDED UNDER THIS WARRANTY IS THE EXCLUSIVE REMEDY OF THE PURCHASER. HUSQVARNA SHALL NOT BE LIABLE FOR ANY INCIDENTAL OR CONSEQUENTIAL DAMAGES FOR BREACH OF ANY EXPRESS OR IMPLIED WARRANTY ON THESE PRODUCTS EXCEPT TO THE EXTENT PROHIBITED BY APPLICABLE LAW. ANY IMPLIED WARRANTY OF MERCHANTABILITY OR FITNESS FOR A PARTICULAR PURPOSE ON THESE PRODUCTS IS LIMITED IN DURATION TO THE WARRANTY PERIOD AS DEFINED IN THE LIMITED WARRANTY STATEMENT. HUSQVARNA RESERVES THE RIGHT TO CHANGE OR IMPROVE THE DESIGN OF THE PRODUCT WITHOUT NOTICE, AND DOES NOT ASSUME OBLIGATION TO UPDATE PREVIOUSLY MANUFACTURED PRODUCTS.

Some states do not allow the exclusion of incidental or consequential damages, or limitations on how long an implied warranty lasts, so the above limitations or exclusions may not apply to you. This warranty gives you specific legal rights, and you may also have other rights which vary from state to state.

## **SECTION 5: CUSTOMER RESPONSIBILITIES**

The product must exhibit reasonable care, maintenance, operation, storage and general upkeep as written in the maintenance section of the Owner's/Operator's manual. Should an operational problem or failure occur, the product should not be used, but delivered as is to an authorized Husqvarna retailer for evaluation. Proof of purchase, as explained in section 6, rests solely with the customer.

## **SECTION 6: PROCEDURE TO OBTAIN WARRANTY CONSIDERATION**

It is the Owner's and Retailer's responsibility to make certain that the Warranty Registration Card is properly filled out and mailed to Husqvarna Forest & Garden Company. This card should be mailed within ten (10) days from the date of purchase in order to confirm the warranty and to facilitate post-sale service.

Proof of purchase must be presented to the authorized Husqvarna retailer in order to obtain warranty service. This proof must include date purchased, model number, serial number, and complete name and address of the selling retailer.

To obtain the benefit of this warranty, the product believed to be defective must be delivered to an authorized Husqvarna retailer in a timely manner, no later than thirty (30) days from date of the operational problem or failure. The product must be delivered at the owner's expense. Downtime, pick-up and delivery charges are not covered by this warranty. An authorized Husqvarna retailer can be normally located through the "Yellow Pages" of the local telephone directory or by calling 1-800-HUSKY62 for a retailer in your area.

**HUSQVARNA**  
**7349 Statesville Road**  
**Charlotte, NC 28269**

**2008**

